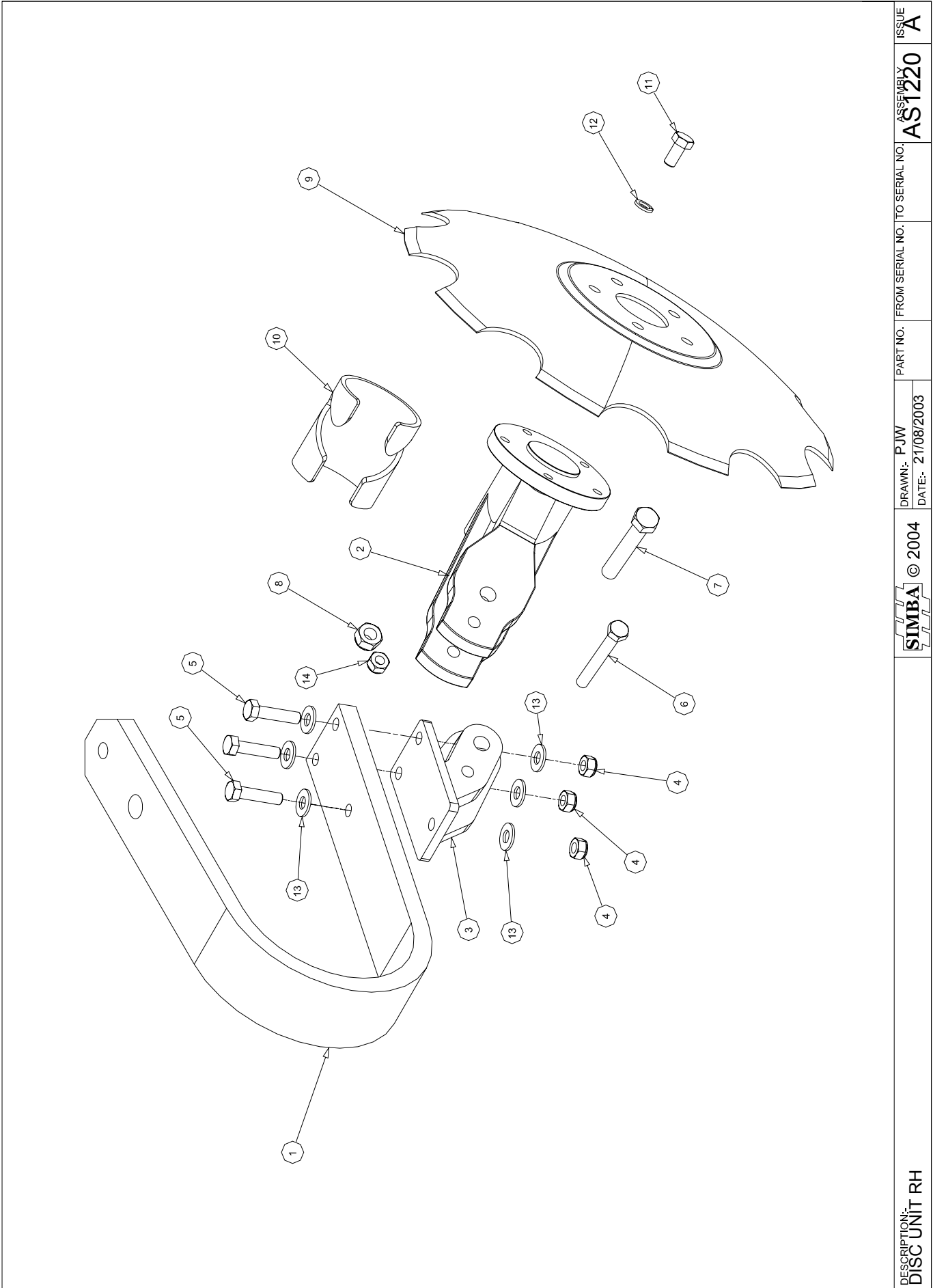


7. Parts & Assembly

Table of contents

Discs	36
Disc Unit Assembly R/H	36
Disc Unit Assembly L/H	38
Disc Hub Assembly	40
DD Light Roll	42
Roll Linkage Assembly	42
3m DD Light Roll (Rigid)	44
4m DD Light Roll Unit (Rigid)	46
4m DD Light Roll (Rigid)	48
4m DD Light Roll L/H (Folding)	50
4m DD Light Roll R/H (Folding)	52



DESCRIPTION:
DISC UNIT RH


SIMBA © 2004

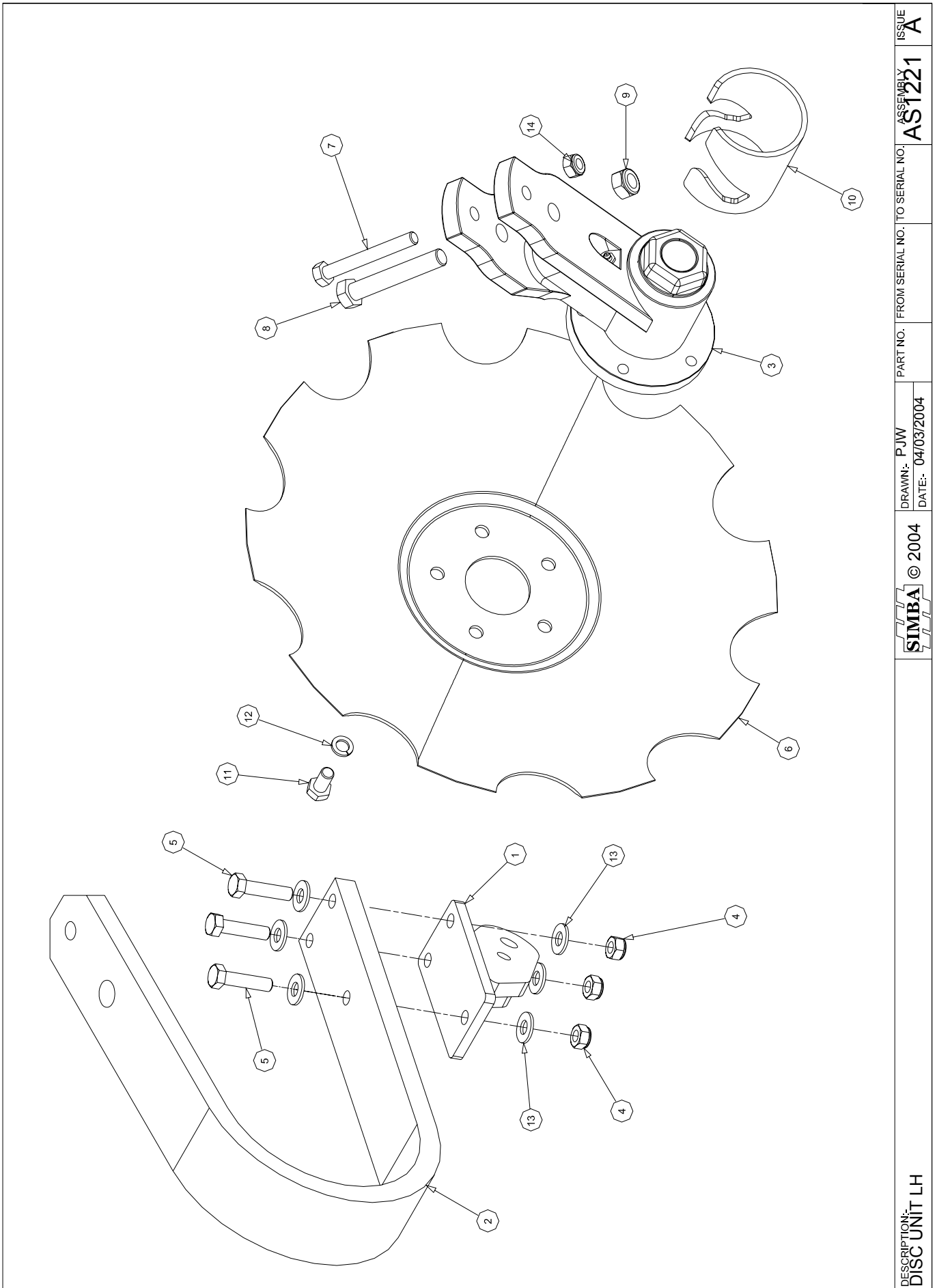
DRAWN: PJW
DATE: 21/08/2003

PART NO. FROM SERIAL NO. TO SERIAL NO.

ASSEMBLY
AS1220

ISSUE
A

AS1220		X-PRESS DISC UNIT RH			
ITEM	PART NO	DESCRIPTION	QTY	COMMENTS	
1	P12782	SPRUNG LEAF 20mm	1		
2	AS1627	DISC HUB COMPLETE 2004	1	P12904	
3	P12639	ADAPTOR RH	1		
4	P07229	NUT LOCK M12 FINE THREAD	3		
5	P13174	BOLT M12x50 GR. 10.9 FINE THREAD	3		
6	P01281	BOLT M12x100 GR. 8.8	1		
7	P00010	BOLT M16x100 GR. 8.8	1		
8	P02008	NUT LOCK M16	1		
9	J811015050	DISC BLADE Ø20" CUT	1		
10	P12695	PROTECTION PLATE	1		
11	P11032	BOLT M12x25 GR. 8.8	5		
12	P02037	WASHER SPRING M12	5		
13	P02601	WASHER FLAT M12	6		
14	P02007	NUT LOCK M12	1		
15					
16					
17					
18					
19					
20					
21					
22					
23					
24					
25					
26					
27					
28					
29					
30					
31					
32					
33					
34					
35					
36					
37					
38					
39					
40					
41					
42					
43					
44					
45					
46					
47					
48					
49					
50					



DESCRIPTION:
DISC UNIT LH


SIMBA © 2004

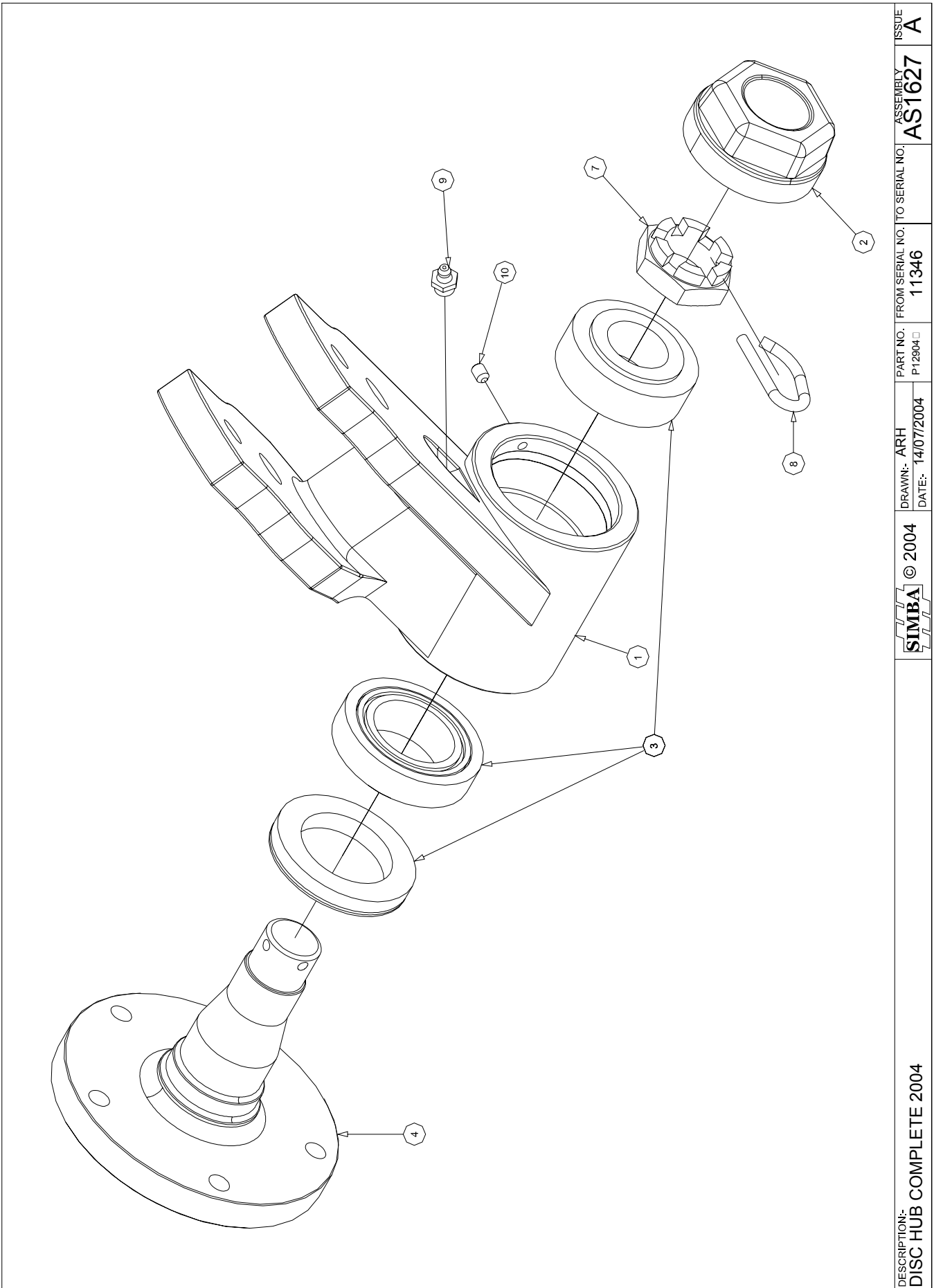
DRAWN: PJW
DATE: 04/03/2004

PART NO. FROM SERIAL NO. TO SERIAL NO.

ASSEMBLY
AS1221

ISSUE
A

AS1221		X-PRESS DISC UNIT LH			
ITEM	PART NO	DESCRIPTION	QTY	COMMENTS	
1	P12640	ADAPTOR LH	1		
2	P12782	SPRUNG LEAF 20mm	1		
3	AS1627	DISC HUB COMPLETE 2004	1	P12904	
4	P07229	NUT LOCK M12 FINE THREAD	3		
5	P13174	BOLT M12x50 GR. 10.9 FINE THREAD	3		
6	J811015050	DISC BLADE Ø20" CUT	1		
7	P01281	BOLT M12x100 GR. 8.8	1		
8	P00010	BOLT M16x100 GR. 8.8	1		
9	P02008	NUT LOCK M16	1		
10	P12695	PROTECTION PLATE	1		
11	P11032	BOLT M12x25 GR. 8.8	5		
12	P02037	WASHER SPRING M12	5		
13	P02601	WASHER FLAT M12	6		
14	P02007	NUT LOCK M12	1		
15					
16					
17					
18					
19					
20					
21					
22					
23					
24					
25					
26					
27					
28					
29					
30					
31					
32					
33					
34					
35					
36					
37					
38					
39					
40					
41					
42					
43					
44					
45					
46					
47					
48					
49					
50					



DESCRIPTION:-
DISC HUB COMPLETE 2004

SIMBA © 2004

DRAWN:- ARH
DATE:- 14/07/2004

PART NO. P12904


FROM SERIAL NO. 11346

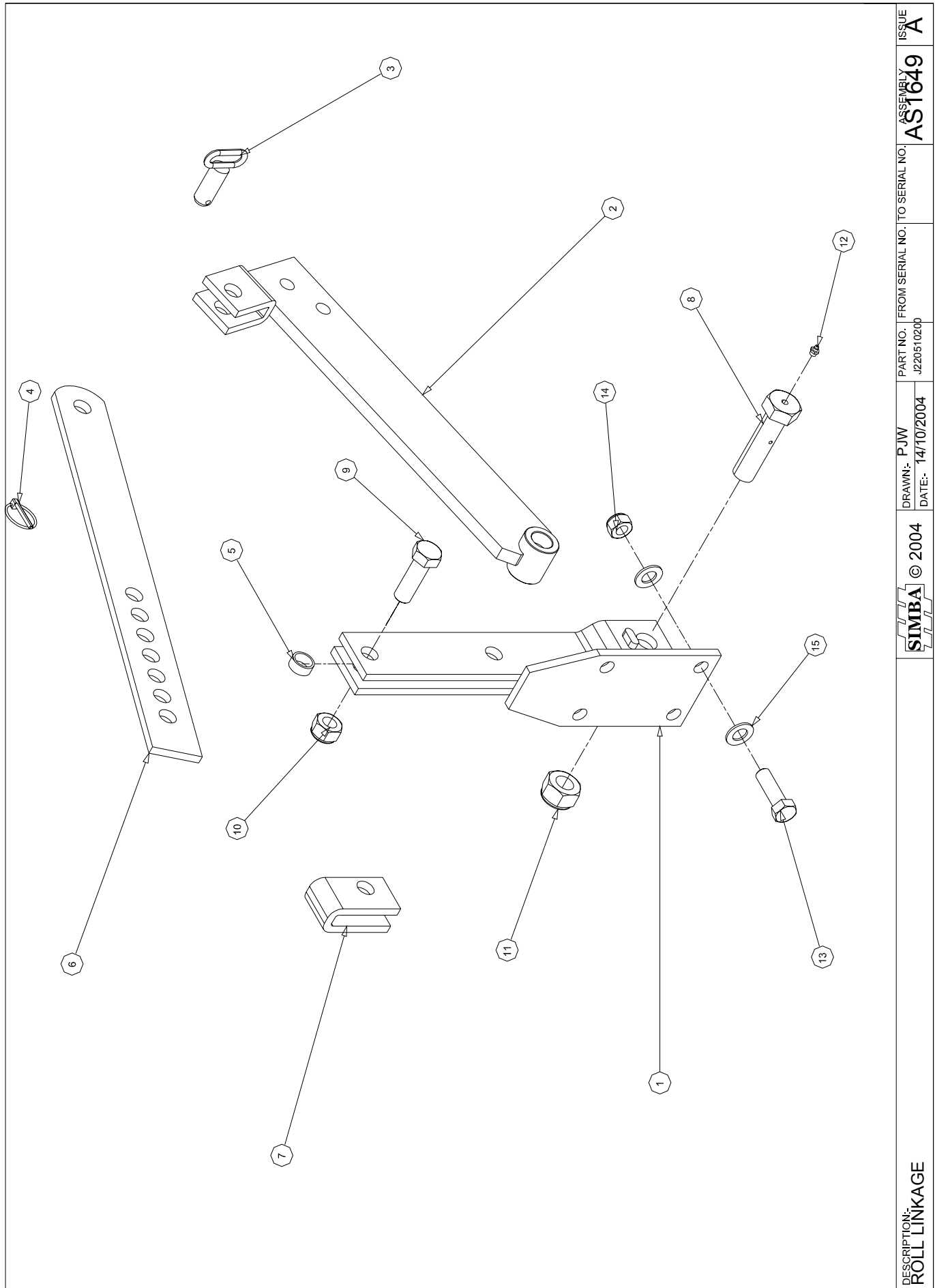
TO SERIAL NO.

ASSEMBLY
AS1627

ISSUE
A



AS1627		DISC HUB COMPLETE X-PRESS 2004		
ITEM	PART NO	DESCRIPTION	QTY	COMMENTS
1	P12905	HOUSING	1	
2	P12909	HUB CAP	1	
3	P12415	BEARING + SEAL KIT COMPLETE	1	NOT AVAILABLE INDIVIDUALLY
4	P12906	SPINDLE M27x1.5	1	
5				
6				
7	P12907	NUT CASTLE M27x1.5	1	
8	P12908	SPRING PIN	1	
9	P00071	NIPPLE - GREASE	1	
10	P12910	GRUB SCREW M6x8	1	
11				
12	P12904	HUB ASSEMBLY COMPLETE	1	ITEMS 1 TO 10
13				
14				
15				
16				
17				
18				
19				
20				
21				
22				
23				
24				
25				
26				
27				
28				
29				
30				
31				
32				
33				
34				
35				
36				
37				
38				
39				
40				
41				
42				
43				
44				
45				
46				
47				
48				
49				
50				



DESCRIPTION:
ROLL LINKAGE

SIMBA © 2004

DRAWN: PJW
DATE: 14/10/2004


PART NO. J220510200

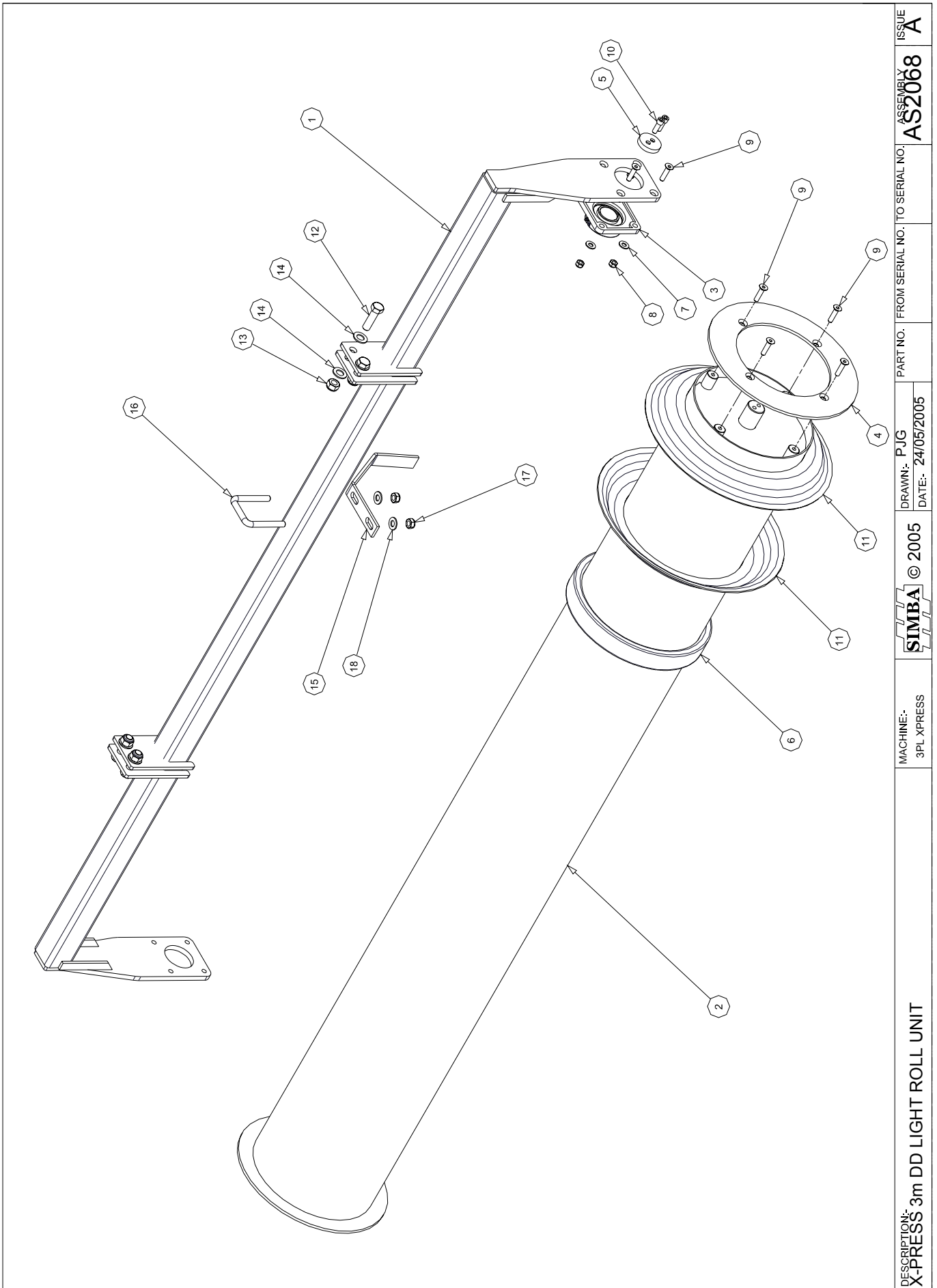
FROM SERIAL NO.

TO SERIAL NO.

ASSEMBLY
AS1649

ISSUE
A

AS1649		ROLL LINKAGE			
ITEM	PART NO	DESCRIPTION	QTY	COMMENTS	
1	P13103	ROLL MOUNT	1		
2	P13104	LOWER LINK ARM	1		
3	P13108	PIN Ø25x65	3		
4	P02483	LYNCH PIN CAT 1	3		
5	P13106	BUSH - SPACER	2		
6	P13105	FLAT 75x12	1		
7	P13107	STOP - PIN	2		
8	P13109	BOLT - GREASER M30	1		
9	P00015	BOLT M24x75 GR. 8.8	2		
10	P02010	NUT LOCK M24	2		
11	P02011	NUT LOCK M30	1		
12	P00071	NIPPLE - GREASE	1		
13	P02654	BOLT M20x60 GR. 8.8	4		
14	P02009	NUT LOCK M20	4		
15	P02603	WASHER FLAT M20	8		
16					
17					
18					
19					
20					
21					
22					
23					
24					
25					
26					
27					
28					
29					
30					
31					
32					
33					
34					
35					
36					
37					
38					
39					
40					
41					
42					
43					
44					
45					
46					
47					
48					
49					
50					



DESCRIPTION:
X-PRESS 3m DD LIGHT ROLL UNIT

MACHINE:-
3PL XPRESS

SIMBA © 2005


DRAWN: P J G
DATE: 24/05/2005

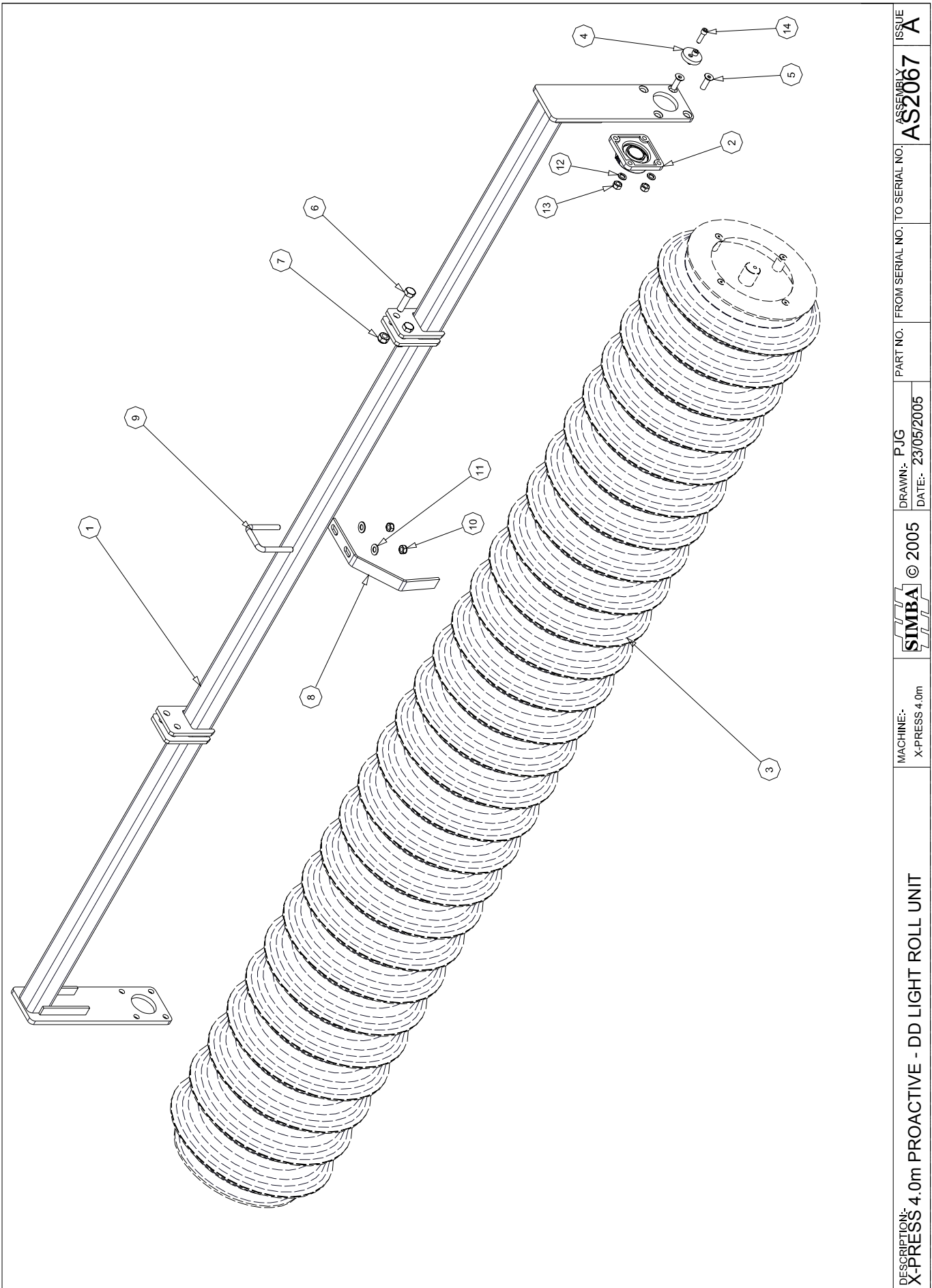
PART NO. FROM SERIAL NO. TO SERIAL NO.

ASSEMBLY
AS2068

ISSUE
A




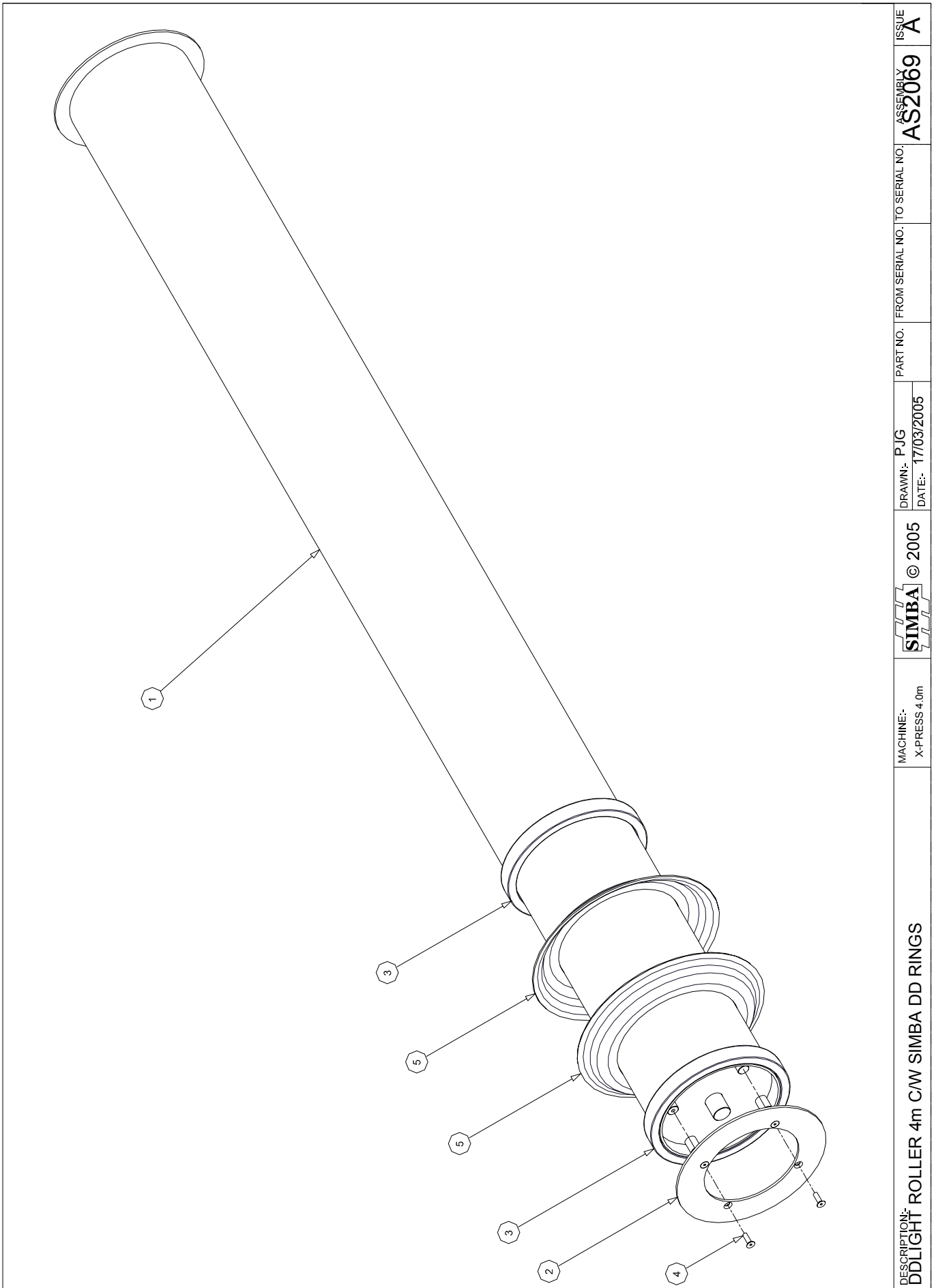
AS2068		X-PRESS 3.0m PROACTIVE DD LIGHT ROLL UNIT		
ITEM	PART NO	DESCRIPTION	QTY	COMMENTS
1	P13030	ROLL FRAME - 3m	1	
2	P13025	ROLL TUBE 3m XPRESS	1	
3	P01834	BEARING SCJ 50	2	
4	P13026	RING - RETAINING	2	
5	P12758	STUB AXLE END WASHER Ø50	2	
6	P13072	SPACER RUBBER 57mm	20	Reconstituted tyre rubber
7	P02601	WASHER FLAT M12	8	
8	P02007	NUT LOCKM12	8	
9	P10944	SCREW M12x50 GR10.9 CSK	16	
10	P12950	BOLT M12x35 SOCKET CAP	4	
11	P12959	DD550 RING - Ø358	38	
12	P00874	BOLT M20x70 GR. 8.8	4	
13	P02009	NUT LOCKM20	4	
14	P02603	WASHER FLAT M20	8	
15	J220561120	SCRAPER XPRESS 3PL STD	20	P13031
16	P02284	BOLT U M16 GR8.8 115x88	20	
17	P02008	NUT LOCKM16	40	
18	P02602	WASHER FLAT M16	40	
19				
20				
21				
22				
23				
24				
25				
26				
27				
28				
29				
30				
31				
32				
33				
34				
35				
36				
37				
38				
39				
40				
41				
42				
43				
44				
45				
46				
47				
48				
49				
50				



DESCRIPTION: X-PRESS 4.0m PROACTIVE - DD LIGHT ROLL UNIT	MACHINE: X-PRESS 4.0m	© 2005	DRAWN: P.J.G. DATE: 23/05/2005	PART NO.	FROM SERIAL NO.	TO SERIAL NO.	ASSEMBLY NO. AS2067	ISSUE A




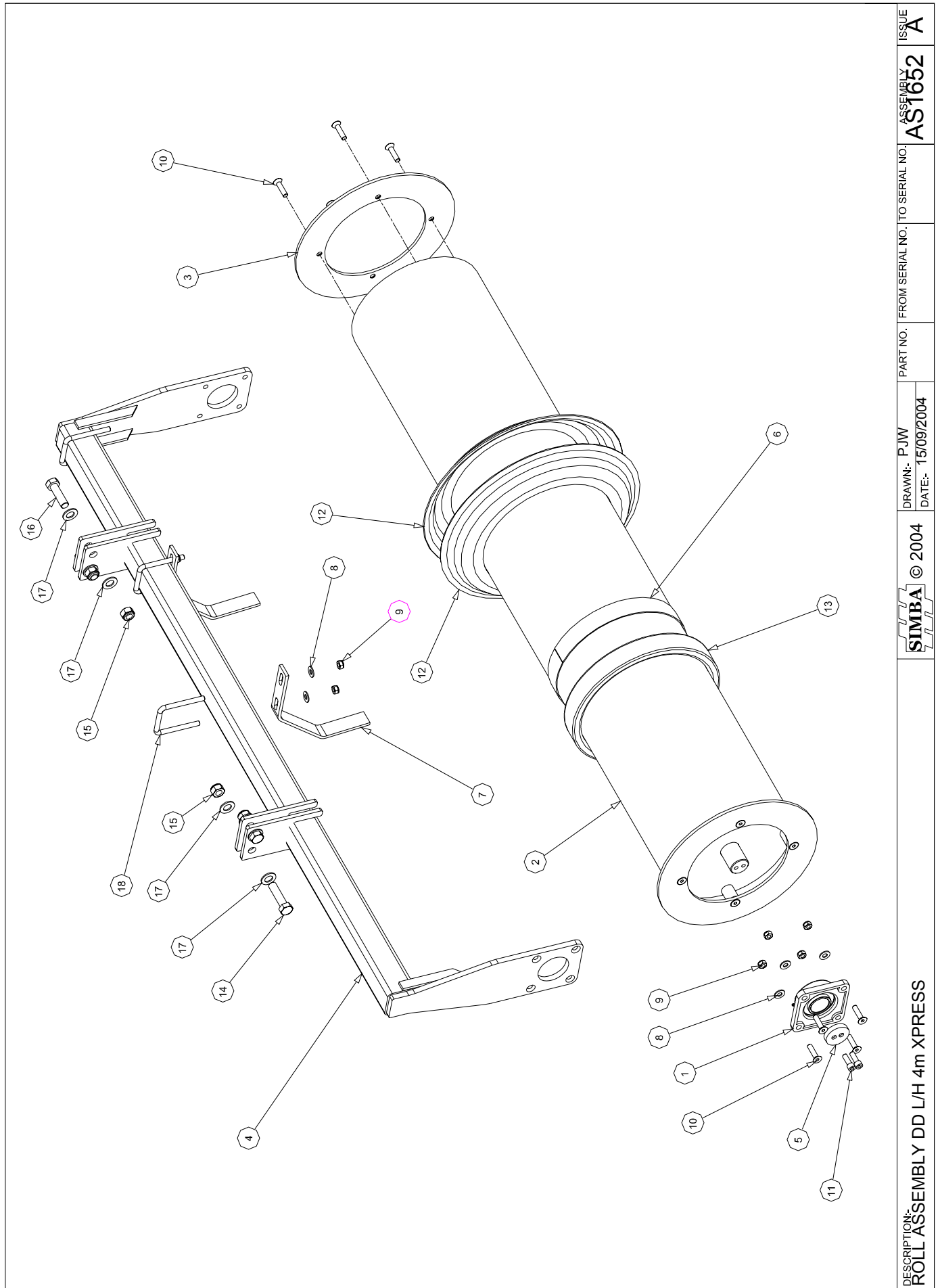
AS2067		X-PRESS 4.0m PROACTIVE - DDLIGHT ROLL UNIT		
ITEM	PART NO	DESCRIPTION	QTY	COMMENTS
1	J220571010	DD LIGHT ROLL FRAME 4.0m	1	
2	P01834	BEARING SCJ 50	2	
3	AS2069	DDLIGHT ROLLER 4m C/W SIMBA DD RINGS	1	
4	P12758	STUB AXLE END WASHER Ø50	2	
5	J910141650	C/S BOLT M16	8	
6	P00874	BOLT M20x70 GR. 8.8	4	
7	P02009	NUT LOCK M20	4	
8	J220561120	SCRAPER XPRESS 3PL STD	28	
9	P02284	BOLT U M16 GR8.8 115x88	28	
10	P02008	NUT LOCK M16	56	
11	P02602	WASHER FLAT M16	56	
12	P02038	WASHER SPRING M16	8	
13	P01358	NUT PLAIN M16	8	
14	P10367	CAPSCREW M12x40 GR10.9	4	
15				
16				
17				
18				
19				
20				
21				
22				
23				
24				
25				
26				
27				
28				
29				
30				
31				
32				
33				
34				
35				
36				
37				
38				
39				
40				
41				
42				
43				
44				
45				
46				
47				
48				
49				
50				



DESCRIPTION: DDLIGHT ROLLER 4m C/W SIMBA DD RINGS	MACHINE: X-PRESS 4.0m	SIMBA © 2005	DRAWN:- PJG DATE:- 17/03/2005	PART NO.	FROM SERIAL NO.	TO SERIAL NO.	ASSEMBLY AS2069	ISSUE A
--	--------------------------	--------------	----------------------------------	----------	-----------------	---------------	--------------------	------------



AS2069		4.0m DDLIGHT ROLL C/ W SIMBA DD RINGS		
ITEM	PART NO	DESCRIPTION	QTY	COMMENTS
1	J220571040	DD LIGHT ROLL TUBE 4.0m	1	
2	J220561130	DDLIGHT END PLATE	2	
3	J972330040	DDLIGHT SPACER RING -RUBBER	28	
4	J910141240	BOLT M12x40 GR12.9 CSK	8	P12788
5	P12959	DD550 RING - Ø358	54	
6				
7				
8				
9				
10				
11				
12				
13				
14				
15				
16				
17				
18				
19				
20				
21				
22				
23				
24				
25				
26				
27				
28				
29				
30				
31				
32				
33				
34				
35				
36				
37				
38				
39				
40				
41				
42				
43				
44				
45				
46				
47				
48				
49				
50				



DESCRIPTION:
ROLL ASSEMBLY DD L/H 4m XPRESS


SIMBA © 2004

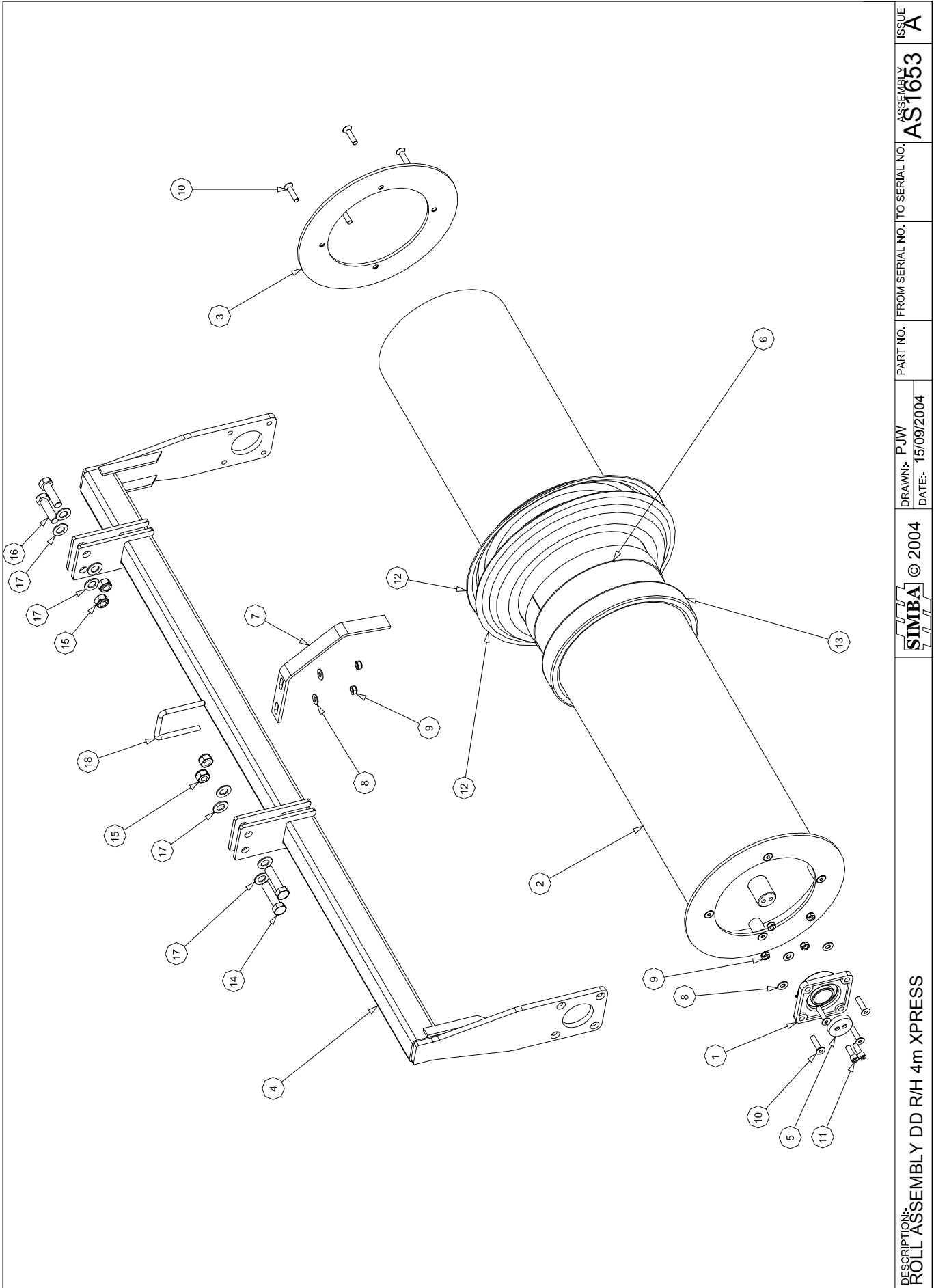
DRAWN:- PJW
DATE:- 15/09/2004

PART NO. FROM SERIAL NO. TO SERIAL NO.

ASSEMBLY
AS1652

ISSUE
A

AS1652		X-PRESS - 4m LH ROLL ASSEMBLY POLYSTEEL DD		
ITEM	PART NO	DESCRIPTION	QTY	COMMENTS
1	P01834	BEARING SCJ 50	2	
2	P13121	ROLL TUBE 4m XPRESS F/W	1	
3	P13026	RING - RETAINING	2	
4	P13119	ROLL FRAME - 4m L/H	1	
5	P12758	STUB AXLE END WASHER Ø50	2	
6	P12968	RING - SPACER 57mm	13	
7	P13031	SCRAPER XPRESS 3PL STD	13	
8	P02601	WASHER FLAT M12	34	
9	P02007	NUT LOCK M12	34	
10	P10944	SCREW M12x50 GR10.9 CSK	16	
11	P12950	BOLT M12x35 SOCKET CAP	4	
12	P12959	DD 550 RING	26	
13	P13072	SPACER RUBBER 57mm	13	
14	P00407	BOLT M20x80 GR. 8.8	2	
15	P02009	NUT LOCK M20	4	
16	P00874	BOLT M20x70 GR. 8.8	2	
17	P02603	WASHER FLAT M20	8	
18	P13045	BOLT U M12 GR8.8 115x94	13	
19				
20				
21				
22				
23				
24				
25				
26				
27				
28				
29				
30				
31				
32				
33				
34				
35				
36				
37				
38				
39				
40				
41				
42				
43				
44				
45				
46				
47				
48				
49				
50				



DESCRIPTION:
ROLL ASSEMBLY DD R/H 4m XPRESS


SIMBA © 2004

DRAWN: PJW
 DATE: 15/09/2004

PART NO. FROM SERIAL NO. TO SERIAL NO.

ASSEMBLY
AS1653

ISSUE
A

AS1653		X-PRESS - 4m RH ROLL ASSEMBLY POLYSTEEL DD		
ITEM	PART NO	DESCRIPTION	QTY	COMMENTS
1	P01834	BEARING SCJ 50	2	
2	P13121	ROLL TUBE 4m XPRESS F/W	1	
3	P13026	RING - RETAINING	2	
4	P13120	ROLL FRAME - 4m R/H	1	
5	P12758	STUB AXLE END WASHER Ø50	2	
6	P12968	RING - SPACER 57mm	13	
7	P13031	SCRAPER XPRESS 3PL STD	13	
8	P02601	WASHER FLAT M12	34	
9	P02007	NUT LOCK M12	34	
10	P10944	SCREW M12x50 GR10.9 CSK	16	
11	P12950	BOLT M12x35 SOCKET CAP	4	
12	P12959	DD 550 RING	26	
13	P13072	SPACER RUBBER 57mm	13	
14	P00407	BOLT M20x80 GR. 8.8	2	
15	P02009	NUT LOCK M20	4	
16	P00874	BOLT M20x70 GR. 8.8	2	
17	P02603	WASHER FLAT M20	8	
18	P13045	BOLT U M12 GR8.8 115x94	13	
19				
20				
21				
22				
23				
24				
25				
26				
27				
28				
29				
30				
31				
32				
33				
34				
35				
36				
37				
38				
39				
40				
41				
42				
43				
44				
45				
46				
47				
48				
49				
50				

