

Operator's/Parts Manual

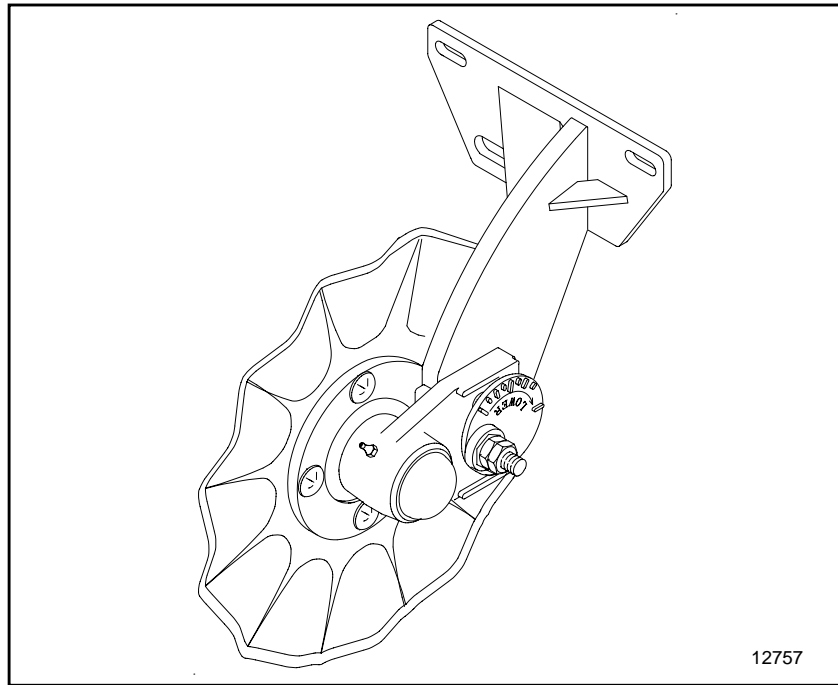
Unit Mount
Conservation Coulter and Spring Package
Attachment for JD 7000, JD 7200, White 6100 , Kinze
Planters and Great Plains Row Units



Great Plains Planting Components



Read the operator's manual entirely. When you see this symbol, the subsequent instructions and warnings are serious - follow without exception. Your life and the lives of others depend on it!



Cover illustration may show optional equipment not supplied with standard unit.



Table of Contents

General Information	1
Introduction	2
Using this Manual	2
Important Safety Information	3
Owner's Assistance	4
Operating and Assembly Instructions	5
General Operation & Repair	5
Assembly Instructions	6
Adjustments	8
Coulter Adjustments	8
Spring Adjustments	8
Maintenance & Lubrication	9
Maintenance	9
Storage	9
Lubrication	9
Parts	10
Coulter for GP, JD7000, White6100 & Kinze	10
Coulter for GP & JD7200	12
Down Pressure Spring Assembly	14
Spring Assy. for GP & JD7200	16
Appendix	18
Warranty	19

© Copyright 2002 All rights Reserved

Great Plains Manufacturing, Inc. provides this publication "as is" without warranty of any kind, either expressed or implied. While every precaution has been taken in the preparation of this manual, Great Plains Manufacturing, Inc. assumes no responsibility for errors or omissions. Neither is any liability assumed for damages resulting from the use of the information contained herein. Great Plains Manufacturing, Inc. reserves the right to revise and improve its products as it sees fit. This publication describes the state of this product at the time of its publication, and may not reflect the product in the future.

Great Plains Manufacturing, Incorporated Trademarks

The following are trademarks of Great Plains Mfg., Inc.: Application Systems, Ausherman, Land Pride, Great Plains

All other brands and product names are trademarks or registered trademarks of their respective holders.

Printed in the United States of America.



General Information

Important Notice

Great Plains Manufacturing, Inc. provides this publication “as is” without warranty of any kind, either expressed or implied, while every precaution has been taken in the preparation of this manual, Great Plains Manufacturing, Inc. assumes no responsibility for errors or omissions. Neither is any liability assumed for damages resulting from the use of the information contained herein. Great Plains Manufacturing, Inc. reserves the right to revise and improve its products as it sees fit. This publication describes the state of this product at the time of its publication, and may not reflect the product at all times in the future.

Printed in the United States of America.

For your convenience, record your Model and the Date Purchased on page 4. Have this information before you when calling a Great Plains Authorized Dealer.

This Operator’s Manual applies to the Product Name listed below:

Conservation and Coulter Spring Package



Introduction

Great Plains welcomes you to its growing family of new product owners. This Conservation Coultter and Spring Package has been designed with care and built by skilled workers using quality materials. Proper setup, maintenance and safe operating practices will help you get years of satisfactory use from the machine.

Description of Unit

The parts on your Conservation Coultter and Spring Package have been specially designed and should only be replaced with genuine **Great Plains** parts. Therefore, should your Conservation Coultter and Spring Package require replacement parts go to your **Great Plains Dealer**.

Using This Manual

This manual will familiarize you with safety, assembly, operation, adjustments and maintenance. Read this manual and follow the recommendations to help ensure safe and efficient operation.

The information in this manual is current at printing. Some parts may change to assure top performance.

Definitions

The following terms are used throughout this manual.

Right-hand and left-hand as used in this manual are determined by facing the direction the machine will travel while in use unless otherwise stated.

IMPORTANT: A crucial point of information related to the preceding topic. For safe and correct operation, read and follow the directions provided before continuing.

NOTE: Useful information related to the preceding topic.



Important Safety Information

Look for Safety Symbol

The SAFETY ALERT SYMBOL indicates there is a potential hazard to personal safety involved and extra safety precaution must be taken. When you see this symbol, be alert and carefully read the message that follows it. In addition to design and configuration of equipment, hazard control and accident prevention are dependent upon the awareness, concern, prudence and proper training of personnel involved in the operation, transport, maintenance and storage of equipment.

Be Aware of Signal Words

Signal words designate a degree or level of hazard seriousness.

DANGER indicates an imminently hazardous situation which, if not avoided, will result in death or serious injury. This signal word is limited to the most extreme situations, typically for machine components that, for functional purposes, cannot be guarded.

WARNING indicates a potentially hazardous situation which, if not avoided, could result in death or serious injury, and includes hazards that are exposed when guards are removed. It may also be used to alert against unsafe practices.

CAUTION indicates a potentially hazardous situation which, if not avoided, may result in minor or moderate injury. It may also be used to alert against unsafe practices.





Owner Assistance

If you need customer service or repair parts, contact a **Great Plains** dealer. They have trained personnel, repair parts and equipment specially designed for **Great Plains** products.

Your machine's parts were specially designed and should only be replaced with **Great Plains** parts. Always use the model number when ordering parts from your **Great Plains** dealer.

Record your Model and Date Purchased here for quick reference:

Model: _____

Date Purchased: _____

Your **Great Plains** dealer wants you to be satisfied with your new machine. If you do not understand any part of this manual or are not satisfied with the service received, please take the following actions.

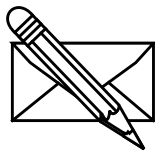
1. Discuss the matter with your dealership service manager. Make sure they are aware of any problems so they can assist you.
2. If you are still unsatisfied, seek out the owner or general manager of the dealership.
3. For further assistance write to:

Product Support

Great Plains Mfg. Inc., Service Department

PO Box 5060

Salina, KS 67402-5060





Operating and Assembly Instructions

Most accidents are the result of negligence and carelessness, usually caused by failure of the operator to follow simple but necessary safety precautions. The following safety precautions are suggested to help prevent such accidents. The safe operation of any machinery is a big concern to consumers and manufactures. Your Conservation Coulter and Spring Package has been designed with many built-in safety features. However, no one should operate this product before carefully reading this Operators Manual.

General Operation & Repair

Never allow the Conservation Coulter and Spring Package to be operated by anyone who is unfamiliar with the operation of all functions of the unit. All operators should read and thoroughly understand the instructions given in this manual prior to moving the unit.

1. Make sure safety rules are understood before operating machinery or tractor.
2. Never permit any persons other than the operator to ride on the tractor.
3. Never permit any persons to ride on or stand near the drill while it is in operation.
4. Regulate your speed to the field conditions, maintaining complete control at all times.
5. After repairing or adjusting, make sure all tools and parts are removed from the implement before attempting to operate it.
6. Do not grease or oil machine while it is in operation.
7. Loose fitting clothing should not be worn as it may catch in moving parts.
8. Never dismount from a moving tractor.
9. Do not leave the tractor or the implement unattended with the engine running.
10. Do not stand between the tractor and the implement during hitching.
11. Detach and store implements in an area where children normally do not play. Stabilize implements by using suitable supports and block wheels.
12. If a hydraulic leak develops, correct it immediately. Escaping hydraulic oil can have extremely high pressure. A stream of high pressure oil may easily penetrate the skin as with modern needle-less vaccination equipment - but with the exception that hydraulic fluid may cause blood poisoning. It is imperative that the connections are tight and that all lines and pipes are in good condition. If an injury is caused by the escaping hydraulic fluid, see doctor at once!
13. Use a piece of cardboard or wood to detect leaks of hydraulic oil under pressure.
14. Be sure to relieve all hydraulic pressure before disconnecting any lines or pipes between the implement and the tractor hydraulic system. Keep all guards and shields in place.

Assembly Instructions

Conservation Coulter Installation For Great Plains , JD 7000, White 6100 & Kinze

Refer to Illustration on Page 10

1. Bolt bracket (11) to planter unit using 1/2" x 1 1/2" long carriage bolts (22), flat washers (21), lock spring washers (18), and hex nuts (17) for the top two holes. Use 1/2" x 1 1/2" long bolt (25), 1/2" USS flat washers (24), and 1/2" hex flange nut (23) for the bottom hole.
2. Bolt bearing assembly housing (10) and cam casting (9) to bracket by inserting the 3/4" nut (8) into the cam casting (9) and screwing the 3/4" x 3" long bolt (12) through the hole in the bracket (11).
3. Bolt blade (19) to hub (16) using 1/2" x 1 1/4" carriage bolts (15), lock spring washers (18), and hex nuts (17).
4. Adjust coulter to desired height by rotating cam. Each indicator on the cam represents approximately 1/4" vertical height adjustment. Tighten the bolt and add the jam nut (7) to secure. Check and tighten all nuts and bolts.

Conservation Coulter Installation For Great Plains and JD 7200

Refer to Illustration on Page 12

1. Bolt bracket (11) to planter unit using 1/2" x 1 1/2" carriage bolts (21), flat washers (20), lock spring washers (18), and hex nuts (17).
2. Bolt bearing assembly housing (10) and cam casting (9) to bracket by inserting 3/4" nut (8) into cam casting (9) and screwing the 3/4" x 3" long bolt (12) through the hole in bracket (11) and into the nut in cam.
3. Bolt blade (18) to hub (16) using 1/2" x 1 1/4" carriage bolts (15), lock spring washers (18), and hex nuts (17).
4. Adjust coulter to desired height by rotating cam. Each indicator on the cam represents approximately 1/4" vertical height adjustment. Tighten the bolt and add the jam nut (7) to secure. Check and tighten all nuts and bolts.

Down Pressure Spring Kit Installation

For Great Plains and JD 7200

Refer to Illustration on Page 16

1. At this time lower planter to the ground. This will help stabilize the planter units during disassembly. If hydraulic failure should occur while the planter is in a raised position, the planter could fall with the possibility of causing bodily injury or planter damage.
2. C-clamp lower parallel arms to the planter unit to eliminate rotation. Remove the existing 5/8" x 2 1/4" long bolts from the front of the lower arms taking care that the existing bushings do not fall out.
3. Insert lower spring mount (16) between lower parallel arms. Add one 1/4" long spacer (13) to each side. Install the 5/8" x 2 1/2" long bolts (20) Included in package.
4. Rotate the lower spring mount (16) upwards until it is in contact with the mounting plate.
5. Check and tighten all nuts and bolts.

Upper Spring Mount Installation

For Great Plains and JD 7200

1. Raise the planter and support it with safety blocks in order to continue. Attach adjustment bar (5) to the two supports (7) using the clevis pin (8) and the hair pin (9). Bolt this assembly to the back of the mounting plate using 3/8" x 1" long carriage bolt (10), 3/8" flat washer (11), and 3/8" hex flange nut (11).
2. Slip springs (2) and spacers (3) over handle adjustment assembly (1).
3. Slip adjustment bar (5) through handle adjustment assembly (1) and rest handle adjustment assembly on the upper parallel arms sliding it forward according to step 2 under "Spring Adjustments" on page 7.
4. Install 5/8" spring pivot rods (14) through lower hooks of springs (2) and lower spring mount (16).
5. Add 5/8" washers (15) to the pivot rods (14) to secure the inner springs. Put on snap rings (12). Locate springs away from roller chain and top parallel arms.
6. Secure the spacers (3) with the 1/4" x 1/2" set screws (4).
7. Install the 3/8" x 1" long bolt (6), 3/8" flat washer (11), and 3/8" hex flange nut (11) in the back hole of the adjustment bar (5).



Adjustments

Coulter Adjustments

Refer to Illustration on Page 10 or 12

1. To adjust the coulter vertically, loosen the 3/4" jam nut (7), and the 3/4" x 3" long hex bolt (12).
2. By turning the recessed nut, rotate the cam casting (9) to set the desired height. Each increment on the casting (9) represents approximately 1/4" of vertical adjustment.
3. Tighten the bolt (12) and jam nut (7). Check and tighten all nuts and bolts.

Spring Adjustments

For Great Plains and JD 7200

Refer to Illustration on Page 16 and Table on the Right

1. **ALL** spring adjustments must be made with the planter in the fully raised position.
2. The spring package is adjustable from 90 pounds of down force to 325 pounds of down force when the planter parallel arms are horizontal. Consult the chart and diagram to obtain the desired down force.
3. If only two springs (2) are to be used, remove the outer two springs by removing the snap ring (12) on the end of the spring pivot rod (14). Slide the rod (14) inward and remove the spring hook. Then remove the spring (2) from the hex bar support (1) then reposition the spring pivot rod and reinstall the snap ring (12).
4. To adjust the spring tension, lift the plunger (19) by pulling up on the roll pin (17) and sliding the handle adjustment assembly (1) to the next hole.

To Obtain This Down Force	Use This # of Springs	In This Hole
90 lbs	2	A
105 lbs	2	B
125 lbs	2	C
140 lbs	2	D
160 lbs	2	E
185 lbs	4	A
215 lbs	4	B
245 lbs	4	C
285 lbs	4	D
325 lbs	4	E

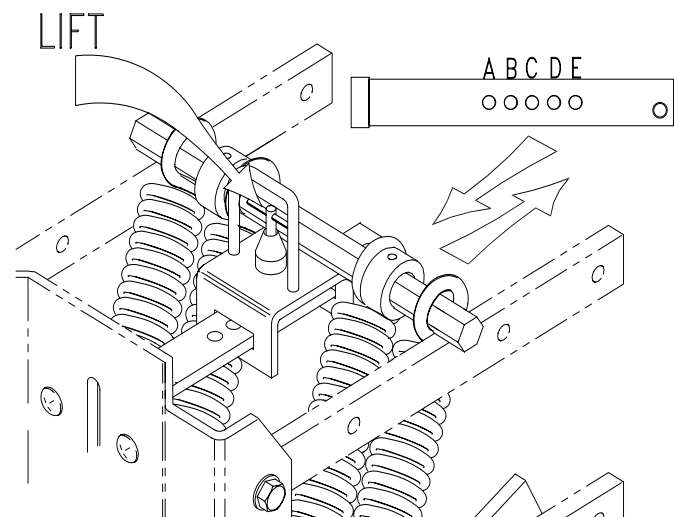


Figure 1
Adjustment Bar



Maintenance and Lubrication

Maintenance

Proper servicing and adjustment is the key to the long life of any farm implement. With careful and systematic inspection, you can avoid costly maintenance, time and repair.

After using your Conservation Coultter and Spring Package for several hours, check all bolts to be sure they are tight.

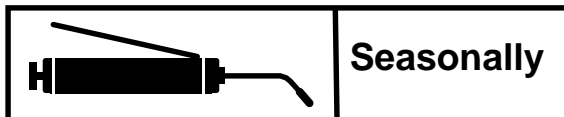
1. Listed below are the items you need to lubricate every 20 hours of operation. Use a heavy duty multipurpose grease:

Storage

Clean the Conservation Coultter and Spring Package as necessary.

1. Lubricate zerks as indicated in the following illustrations.
2. For longer Conservation Coultter and Spring Package life store inside if possible.

Lubrication



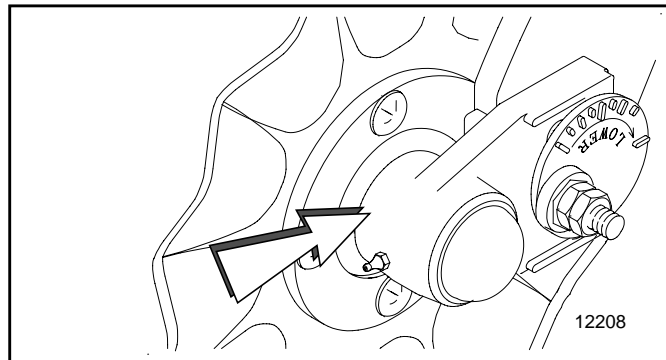
Coultter Arm Housing

It is important to keep coultter pivots adequately lubricated. Refer to the illustration for further information.

Lubrication is required every 20 hours of operation.

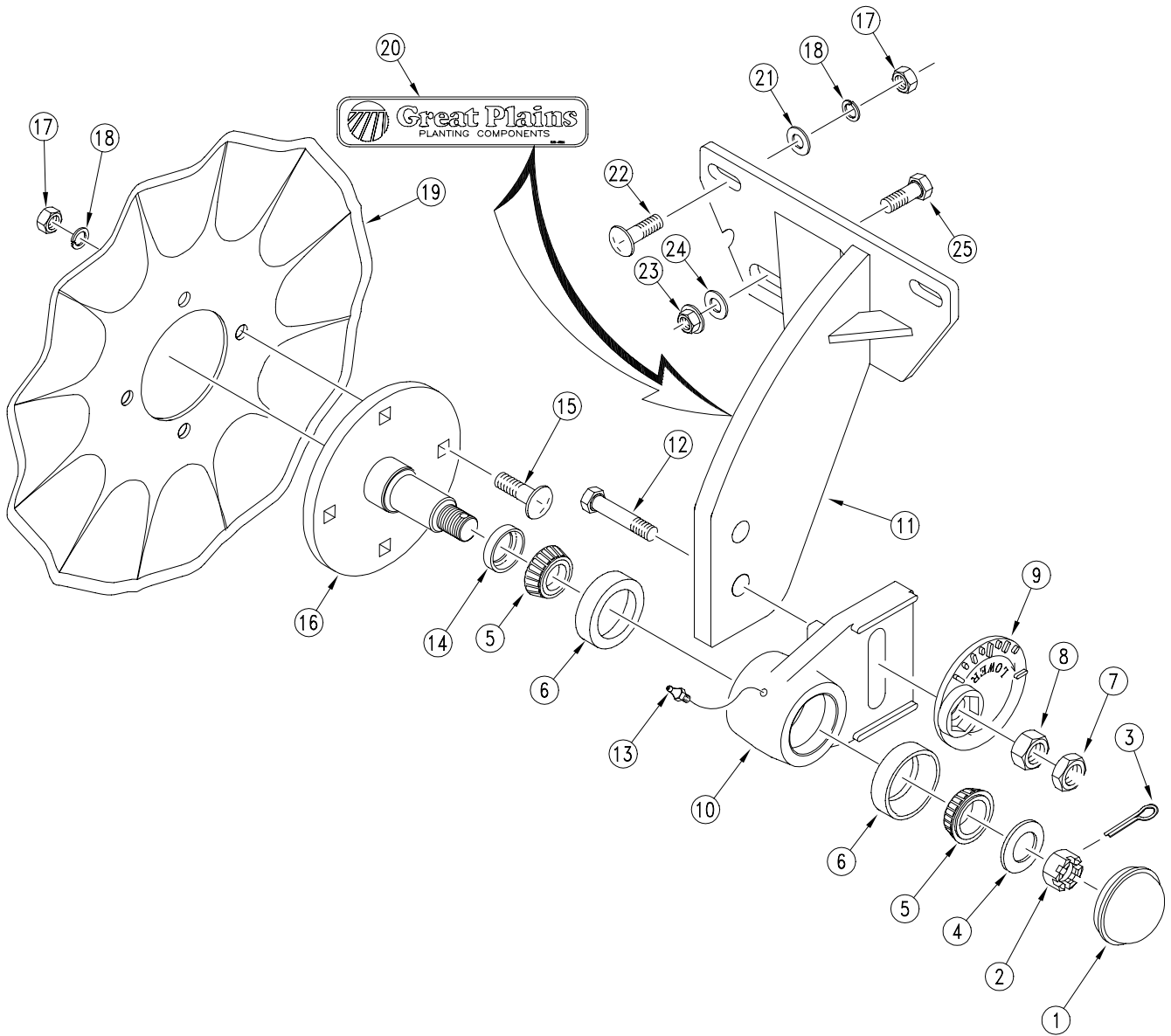
The grease zerk is located on the coultter arm housing. Grease until grease starts to come out.

Type of Lubrication: Heavy Duty Multipurpose Grease



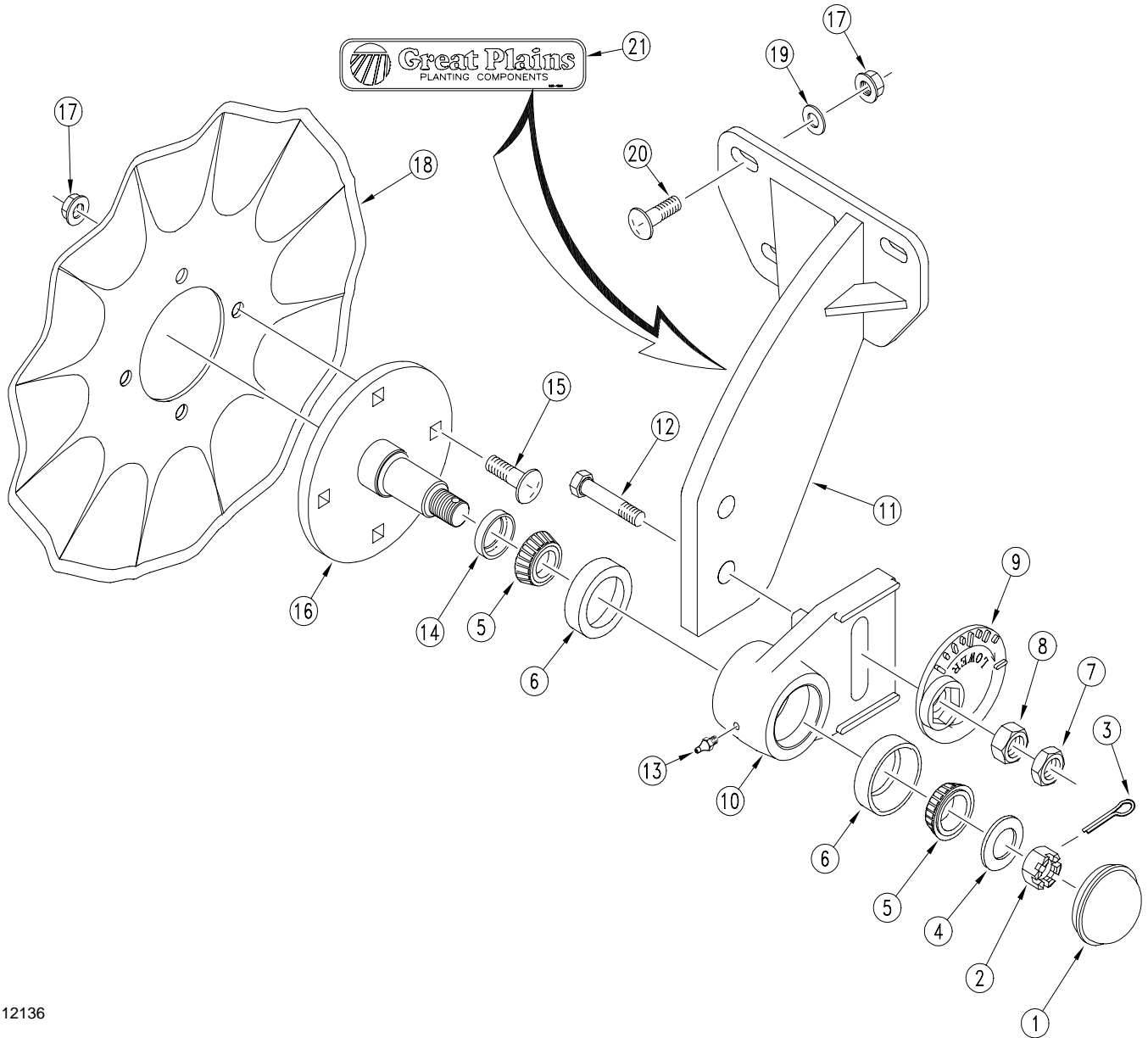
Parts

Conservation Coulters Assembly for Great Plains, JD 7000, White 6100 and Kinze



Ref.	Part No.	Description	
1.	200-001D	HUB GREASE CAP	
2.	803-029C	NUT HEX SLOTTED 7/8-14 PLT	
3.	805-017C	PIN COTTER 3/16 X 1 3/4 PLT	
4.	804-055C	WASHER SPINDLE - 7/8	
5.	822-021C	BEARING CONE LM-67048	
6.	822-020C	BEARING CUP LM-67010	
7.	803-048C	NUT HEX JAM 3/4-10 PLT	
8.	803-027C	NUT HEX 3/4-10 PLT	
9.	812-189C	CAM CASTING	
10.	204-210D	MACHINED COULTER ARM HOUSING	
11.	204-339H	CONS CLT BKT WHITE, KINZE RH	Shown. Not for optional fert. tine.
	204-359H	CONS CLT BKT WHITE, KINZE LH	Not for optional fert. tine.
	204-450H	CONS CLT BKT WHITE, KINZE LH	For optional fert. tine.
	204-451H	CONS CLT BKT WHITE, KINZE RH	For optional fert. tine.
	204-455H	CONS CLT BKT WHITE, KINZE OFFSET	For optional fert. tine.
	204-442H	CONS CLT BKT GP, JD 7000 LH	For optional fert. tine.
	204-443H	CONS CLT BKT GP, JD 7000 RH	For optional fert. tine.
	204-454H	CONS CLT BKT GP, JD 7000 OFFSET	For optional fert. tine.
12.	802-383C	HHCS 3/4-10X3 GR5	
13.	800-001C	GREASE ZERK STRAIGHT 1/4-28	
14.	816-009C	OIL SEAL DOUBLE LIP	
15.	802-214C	RHSNB 1/2-13X1 1/4 GR5	
16.	204-209D	MACHINED SPINDLE HUB	
17.	803-020C	NUT HEX 1/2-13 PLT	
18.	804-015C	WASHER LOCK SPRING 1/2 PLT	
19.	820-082C	17 COULTER BLADE 3/4 WAVY	
20.	838-482C	DECAL GREAT PLAINS	
21.	804-016C	WASHER FLAT 1/2 SAE PLT	
22.	802-106C	RHSNB 1/2-13X1 1/2 GR5	
23.	803-193C	NUT HEX FLANGE 1/2-13 GR G PLT	
24.	804-017C	WASHER FLAT 1/2 USS PLT	
25.	802-091C	HHCS 1/2-13X1 1/2 GR5	

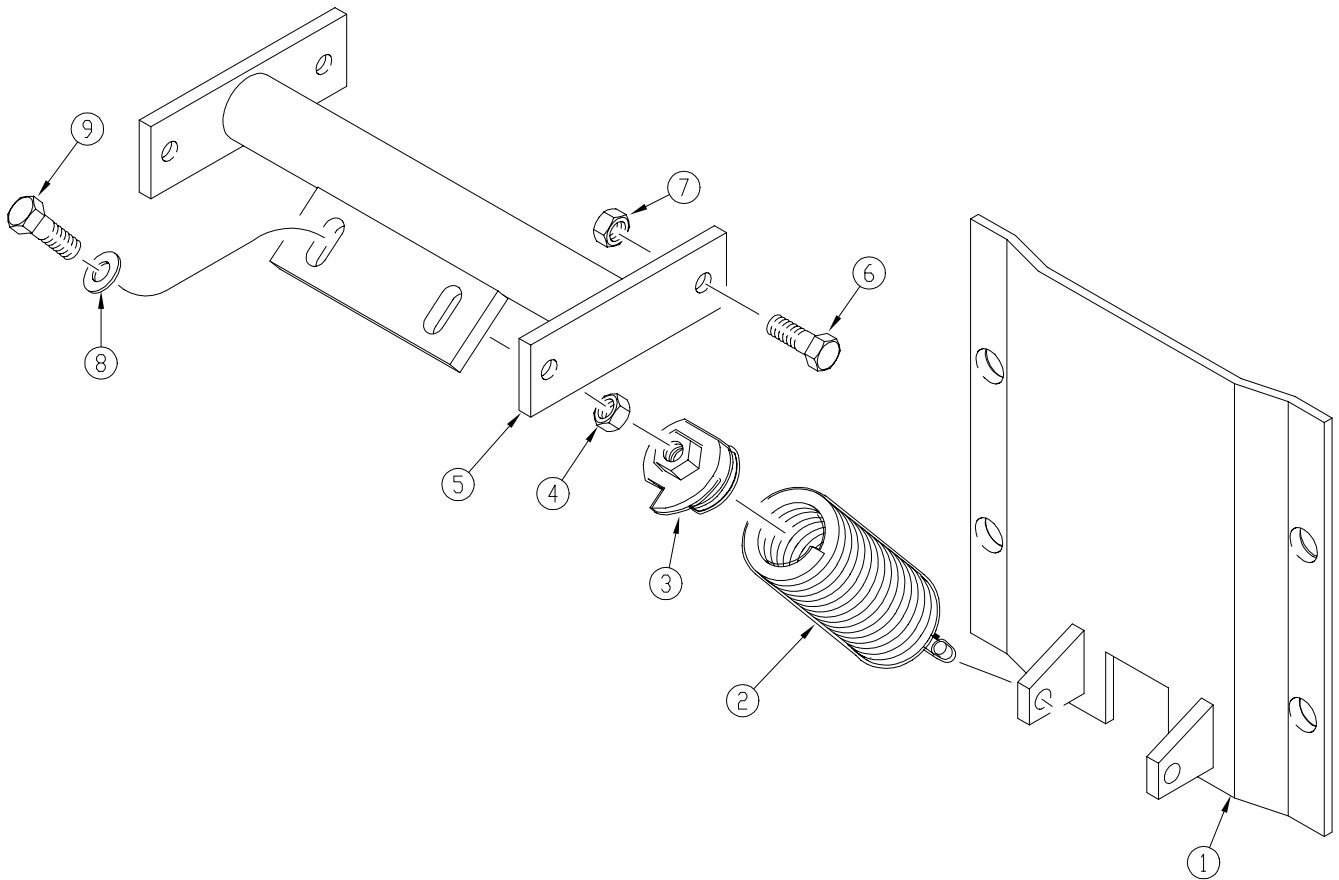
Conservation Coulter Assembly for Great Plains and JD 7200



12136

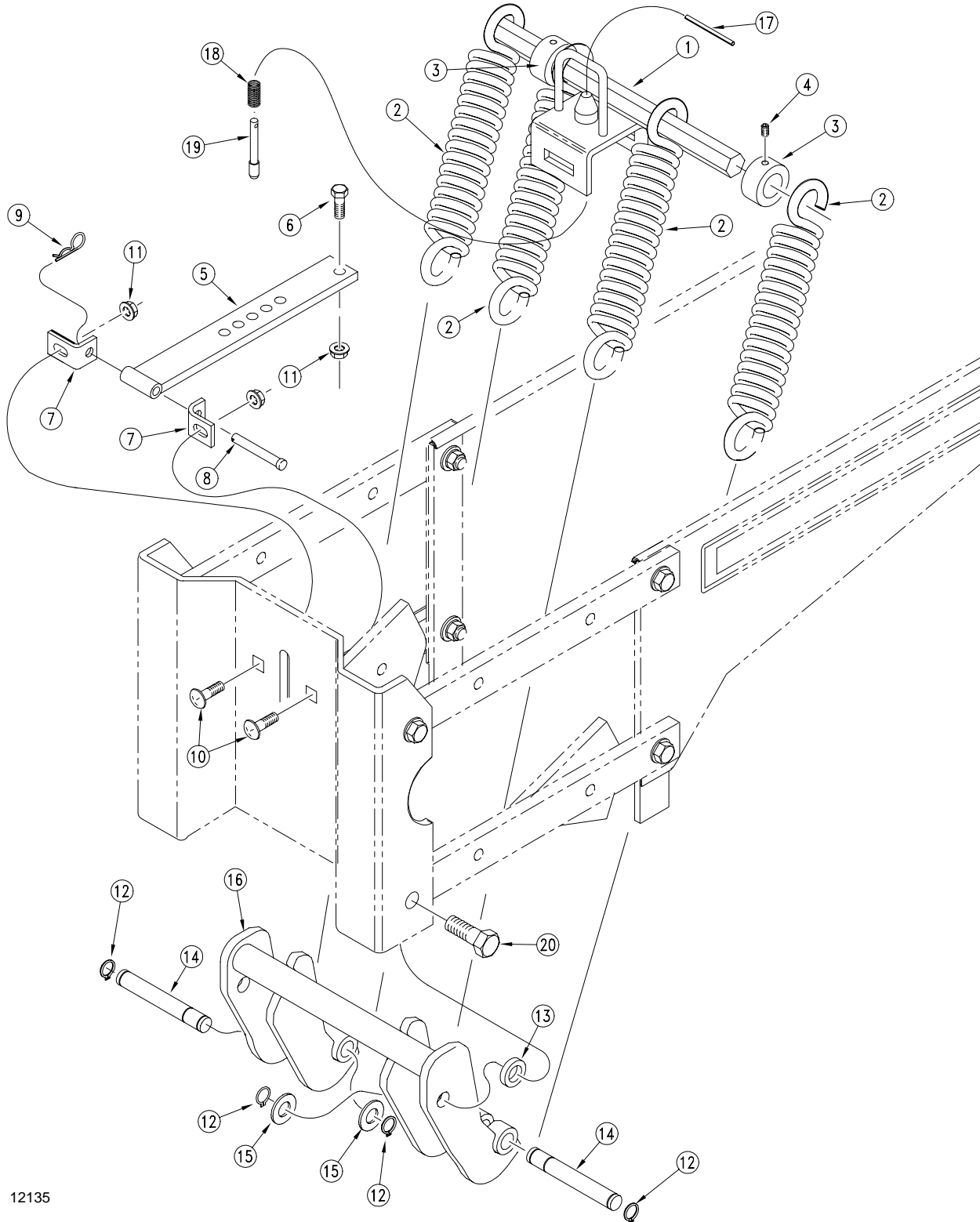
Ref.	Part No.	Description	
1.	200-001D	HUB GREASE CAP	
2.	803-029C	NUT HEX SLOTTED 7/8-14 PLT	
3.	805-017C	PIN COTTER 3/16 X 1 3/4 PLT	
4.	804-055C	WASHER SPINDLE - 7/8	
5.	822-021C	BEARING CONE LM-67048	
6.	822-020C	BEARING CUP LM-67010	
7.	803-048C	NUT HEX JAM 3/4-10 PLT	
8.	803-027C	NUT HEX 3/4-10 PLT	
9.	812-189C	CAM CASTING	
10.	204-210D	MACHINED COULTER ARM HOUSING	
11.	204-327H	BRKT WLDMT GP-JD 7200 CONS COU RH	Shown. Not for Optional Fert. Tine.
	204-408H	BRKT WLDMT GP-JD 7200 CONS COU LH	Not for Optional Fert. Tine.
	204-442H	BRKT WLDMT GP-JD 7200 CONS COU RH	For Optional Fert. Tine.
	204-443H	BRKT WLDMT GP-JD 7200 CONS COU LH	For Optional Fert. Tine.
12.	802-383C	HHCS 3/4-10X3 GR5	
13.	800-001C	GREASE ZERK STRAIGHT 1/4-28	
14.	816-009C	OIL SEAL DOUBLE LIP	
15.	802-214C	RHSNB 1/2-13X1 1/4 GR5	
16.	204-209D	MACHINED SPINDLE HUB	
17.	803-193C	NUT HEX FLANGE 1/2-13 GR G PLT	
18.	820-082C	17 COULTER BLADE 3/4 WAVY	
19.	804-016C	WASHER FLAT 1/2 SAE PLT	
20.	802-106C	RHSNB 1/2-13X1 1/2 GR5	
21.	838-482C	DECAL GREAT PLAINS	

**Down Pressure Spring Assembly for John Deere
7000, White 6100 and Kinze**



Ref.	Part No.	Description
1.	204-004H	SUPPORT PLATE WELDMENT
2.	807-055C	SPRING HOLD DOWN HD COULTER
3.	204-017D	SPRING PLUG CASTING
4.	803-036C	NUT HEX JAM 1/2-13 PLT
5.	204-003H	SPRING TUBE WELD ASSEMBLY
6.	802-091C	HHCS 1/2-13X1 1/2 GR5
7.	803-019C	NUT LOCK 1/2-13 PLT
8.	804-017C	WASHER FLAT 1/2 USS PLT
9.	802-226C	HHCS 1/2-13X2 3/4 GR5

Down Pressure Spring Package Assembly for John Deere 7200



12135

Ref.	Part No.	Description
1.	204-336S	HANDLE ADJUSTMENT ASSEMBLY
2.	807-103C	SPRING EXT 1 5/8ODX11.8LGX.225
3.	204-205D	SPACER
4.	801-009C	SCREW SET 1/4-28 SH X 1/2 LG
5.	204-334H	ADJUSTMENT BAR WELDMENT
6.	802-058C	HHCS 5/8-11X2 1/2 GR5
7.	204-223D	PIVOT ROD SUPPORT
8.	805-086C	PIN CLEVIS 3/8 X 2 23/64 PLT.
9.	805-010C	PIN HAIR COTTER .094
10.	802-015C	RHSNB 3/8-16X1 GR5
11.	803-209C	NUT FLANGE LOCK 3/8-16 PLT
12.	800-111C	RPBY 800-048C
13.	204-212D	SPACER 1 1/8OD 11/16ID 1/4LG
14.	204-206D	SPRING PIVOT ROD
15.	804-019C	WASHER FLAT 5/8 USS PLT
16.	204-125H	LOWER SPRING MOUNT
17.	805-073C	PIN ROLL 5/32 X 1
18.	807-104C	SPRING LEAF .024 W/ 1/4 HOLE
19.	204-221D	PLUNGER
20.	802-058C	HHCS 5/8-11X2 1/2 GR5



Appendix

Torque Values Chart

Bolt Size (Inches)	Bolt Head Identification					
	Grade 2		Grade 5		Grade 8	
in-tpi ¹	N · m ²	ft-lb ³	N · m	ft-lb	N · m	ft-lb
1/4" - 20	7.4	5.6	11	8	16	12
1/4" - 28	8.5	6	13	10	18	14
5/16" - 18	15	11	24	17	33	25
5/16" - 24	17	13	26	19	37	27
3/8" - 16	27	20	42	31	59	44
3/8" - 24	31	22	47	35	67	49
7/16" - 14	43	32	67	49	95	70
7/16" - 20	49	36	75	55	105	78
1/2" - 13	66	49	105	76	145	105
1/2" - 20	75	55	115	85	165	120
9/16" - 12	95	70	150	110	210	155
9/16" - 18	105	79	165	120	235	170
5/8" - 11	130	97	205	150	285	210
5/8" - 18	150	110	230	170	325	240
3/4" - 10	235	170	360	265	510	375
3/4" - 16	260	190	405	295	570	420
7/8" - 9	225	165	585	430	820	605
7/8" - 14	250	185	640	475	905	670
1" - 8	340	250	875	645	1230	910
1" - 12	370	275	955	705	1350	995
1-1/8" - 7	480	355	1080	795	1750	1290
1 1/8" - 12	540	395	1210	890	1960	1440
1 1/4" - 7	680	500	1520	1120	2460	1820
1 1/4" - 12	750	555	1680	1240	2730	2010
1 3/8" - 6	890	655	1990	1470	3230	2380
1 3/8" - 12	1010	745	2270	1670	3680	2710
1 1/2" - 6	1180	870	2640	1950	4290	3160
1 1/2" - 12	1330	980	2970	2190	4820	3560

Bolt Size (Metric)	Bolt Head Identification					
	Class 5.8		Class 8.8		Class 10.9	
mm x pitch ⁴	N · m	ft-lb	N · m	ft-lb	N · m	ft-lb
M 5 X 0.8	4	3	6	5	9	7
M 6 X 1	7	5	11	8	15	11
M 8 X 1.25	17	12	26	19	36	27
M 8 X 1	18	13	28	21	39	29
M10 X 1.5	33	24	52	39	72	53
M10 X 0.75	39	29	61	45	85	62
M12 X 1.75	58	42	91	67	125	93
M12 X 1.5	60	44	95	70	130	97
M12 X 1	90	66	105	77	145	105
M14 X 2	92	68	145	105	200	150
M14 X 1.5	99	73	155	115	215	160
M16 X 2	145	105	225	165	315	230
M16 X 1.5	155	115	240	180	335	245
M18 X 2.5	195	145	310	230	405	300
M18 X 1.5	220	165	350	260	485	355
M20 X 2.5	280	205	440	325	610	450
M20 X 1.5	310	230	650	480	900	665
M24 X 3	480	355	760	560	1050	780
M24 X 2	525	390	830	610	1150	845
M30 X 3.5	960	705	1510	1120	2100	1550
M30 X 2	1060	785	1680	1240	2320	1710
M36 X 3.5	1730	1270	2650	1950	3660	2700
M36 X 2	1880	1380	2960	2190	4100	3220

¹ in-tpi = nominal thread diameter in inches-threads per inch

² N · m = newton-meters

³ ft-lb = foot pounds

⁴ mm x pitch = nominal thread diameter in millimeters x thread pitch

Torque tolerance + 0%, -15% of torquing values. Unless otherwise specified use torque values listed above.

Warranty

Great Plains Manufacturing, Incorporated warrants to the original purchaser that this seeding equipment will be free from defects in material and workmanship for a period of one year from the date of original purchase when used as intended and under normal service and conditions for personal use; 90 days for commercial or rental purposes. This Warranty is limited to the replacement of any defective part by Great Plains Manufacturing, Incorporated and the installation by the dealer of any such replacement part. Great Plains reserves the right to inspect any equipment or part which are claimed to have been defective in material or workmanship.

This Warranty does not apply to any part or product which in Great Plains' judgement shall have been misused or damaged by accident or lack of normal maintenance or care, or which has been repaired or altered in a way which adversely affects its performance or reliability, or which has been used for a purpose for which the product is not designed. This Warranty shall not apply if the product is towed at a speed in excess of 20 miles per hour.

Claims under this Warranty must be made to the dealer which originally sold the product and all warranty adjustments must be made through such dealer. Great Plains reserves the right to make changes in materials or design of the product at any time without notice.

This Warranty shall not be interpreted to render Great Plains liable for damages of any kind, direct, consequential, or contingent, to property. Furthermore, Great Plains shall not be liable for damages resulting from any cause beyond its reasonable control. This Warranty does not extend to loss of crops, losses caused by harvest delays or any expense or loss for labor, supplies, rental machinery or for any other reason.

No other warranty of any kind whatsoever, express or implied, is made with respect to this sale; and all implied warranties of merchantability and fitness for a particular purpose which exceed the obligations set forth in this written warranty are hereby disclaimed and excluded from this sale.

This Warranty is not valid unless registered with Great Plains Manufacturing, Incorporated within 10 days from the date of original purchase.

Great Plains Manufacturing, Inc.

Corporate Office: P.O. Box 5060
Salina, Kansas 67402-5060 USA
