



Twin-Row Spacer Bracket Yield-Pro Planters

Used with:

- Pre-2007 12- and 16-row Yield-Pro Planters

General Information

These instructions explain how to install the Twin-Row Spacer Bracket. This feature is now standard on new products, and is available as an upgrade to existing planters.

These instructions apply to:

198-493A	16 TWIN ROW SPACER KIT
198-494A	12 TWIN ROW SPACER KIT

Before You Start

Each kit converts one planter.

For each kit, inventory the contents per the “Parts List” on page 3.

If necessary, move the implement to a dry well-lighted location suitable for disassembly.

Raise the planter and install lift assist cylinder locks. Secure the tractor if left connected.

Disconnect any hydraulic and electrical power to the implement.

If you have ever changed the factory positioning of row units, measure and mark the correct twin-row centerlines desired.

Have the following tools at hand:

- Basic hand tools
- Assistance for moving row units

Installation

1. Inspect your planter for obstructions on the main toolbar between pairs of twin row units.

Note: Some planter configurations may have one or both hose support brackets ① attached to the toolbar between twinned row units. If no obstructions are found, skip to step 5.

Refer to Figure 1

2. Remove the U-bolts ② securing the hose support brackets ① to the toolbar.
3. Relocate the hose support bracket mounting points to outside row unit pairs.
4. Re-install the U-bolts and secure.

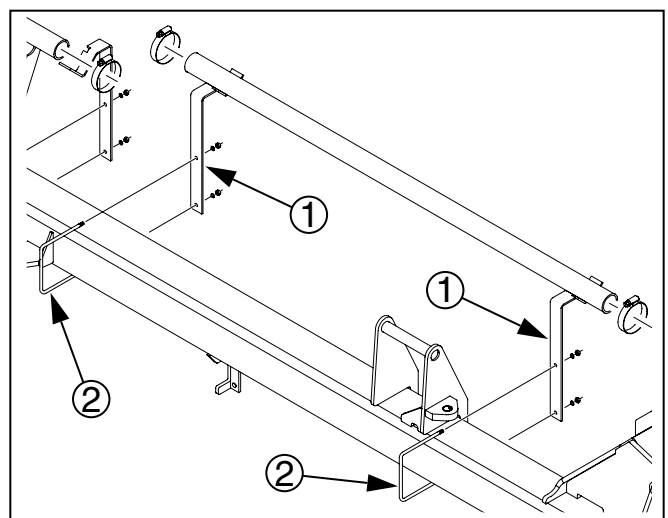


Figure 1
Hose Support Brackets

21986

2 | Twin-Row Spacer Bracket

Refer to Figure 2 and Figure 3

Starting at one side of the planter, perform step 5 through step 11 for each row unit pair.

5. Select one each of:
 - ⑫ 198-334D
TWIN ROW SPACER BRACKET LOWER
 - ⑬ 198-335D
TWIN ROW SPACER BRACKET UPPER
 - ⑭ 802-015C
RHSNB 3/8-16X1 GR5
 - ⑯ 804-012C
WASHER FLAT 3/8 SAE PLT
 - ⑰ 804-013C
WASHER LOCK SPRING 3/8 PLT
 - ⑱ 803-014C
NUT HEX 3/8-16 PLT
6. Make a trial fit of a lower spacer bracket ⑫ between the row units of a pair. If it fits snugly, and both retaining ears ① fit completely over the lower tabs ② of the row units, skip to step 9.
7. If it is apparent which of the two row units to adjust, loosen the nuts on the U-bolt ③, and slide the row unit into position. Using the lower spacer bracket to check fit, tighten the U-bolt.
8. If both row units need to be adjusted, align them so that the centerline of the row unit pair (and the bolt hole at the top of the lower spacer bracket) is at the correct location for the desired row unit spacing. Tighten both U-bolts.
9. Insert the lower spacer bracket ⑫, making sure its retaining ears ① fit completely over the lower tabs ② of the row units.

Refer to Figure 4

10. Position the upper spacer bracket ⑬ behind the top of the lower spacer bracket ⑫, so that the ears of the upper bracket are over the row unit sides, and the square holes of both brackets align.
11. Insert the bolt ⑭ through the square holes from planter front, and secure with flat washer ⑯, lock washer ⑰ and nut ⑱.

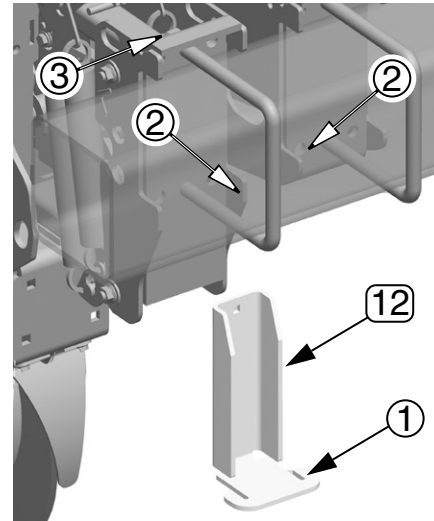


Figure 2
Insert Lower Bracket

25388

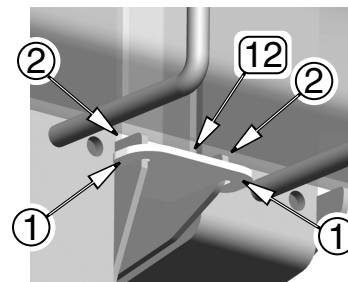


Figure 3
Retaining Ears

25389

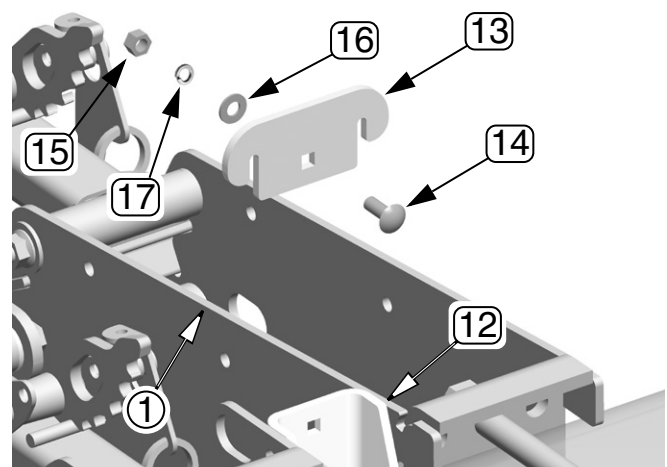


Figure 4
Upper Bracket

25390

Figure 5 depicts a completed spacer installation.

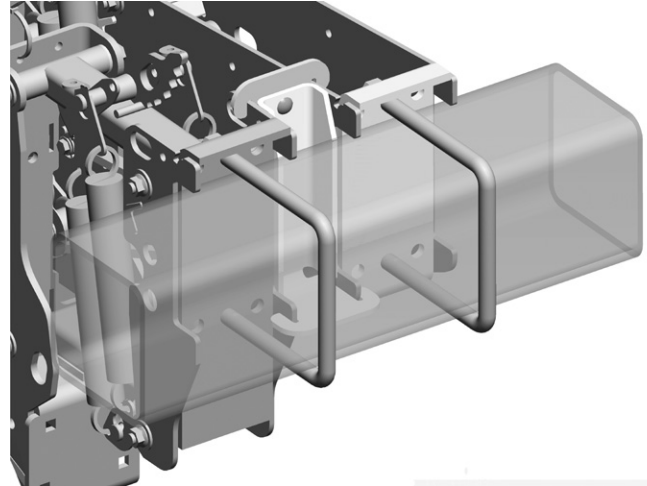


Figure 5
Installed Spacer

25391

Parts List

198-493A,-494A Twin-Row Spacer Bracket

Your kit includes:

Callout	Quantity in Kit...		Part No.	Part Description
	198-493A	198-494A		
(11)	1	1	198-492M	This manual
(12)	16	12	198-334D	TWIN ROW SPACER BRACKET LOWER
(13)	16	12	198-335D	TWIN ROW SPACER BRACKET UPPER
(14)	16	12	802-015C	RHSNB 3/8-16X1 GR5
(15)	16	12	803-014C	NUT HEX 3/8-16 PLT
(16)	16	12	804-012C	WASHER FLAT 3/8 SAE PLT
(17)	16	12	804-013C	WASHER LOCK SPRING 3/8 PLT

Great Plains Manufacturing, Inc.

Corporate Office: PO Box 5060
Salina, KS 67402-5060 USA