

## Installation Instructions

### 3S-3000 Series Drill Small Seeds Option



**Used with:**  
• 3S-3000 Drills



When you see this symbol, the subsequent instructions and warnings are serious - follow without exception. Your life and the lives of others depend on it!

## General Information

These instructions explain how to install the small-seeds attachment. The small-seeds attachment mounts behind the main drill box and allows you to evenly seed very fine seeds.

These instructions apply to:

133-200A	3S-3000 6" Small Seeds Option
133-201A	3S-3000 7 1/2" Small Seeds Option
133-202A	3S-3000 10" Small Seeds Option
133-203A	3S-3000F 10" Small Seeds Option
133-204A	3S-3000F 7 1/2" Small Seeds Option
133-205A	3S-3000F 6" Small Seeds Option

## Manual Update

Refer to the drill operator's manual for detailed information on safely operating, adjusting, troubleshooting and maintaining the small-seeds attachment. Refer to the parts manual for part identification.

- 3S-3000 Series Drill Operator's Manual. . . . 195-110M-A
- 3S-3000 Series Drill Parts Manual. . . . . 195-110P

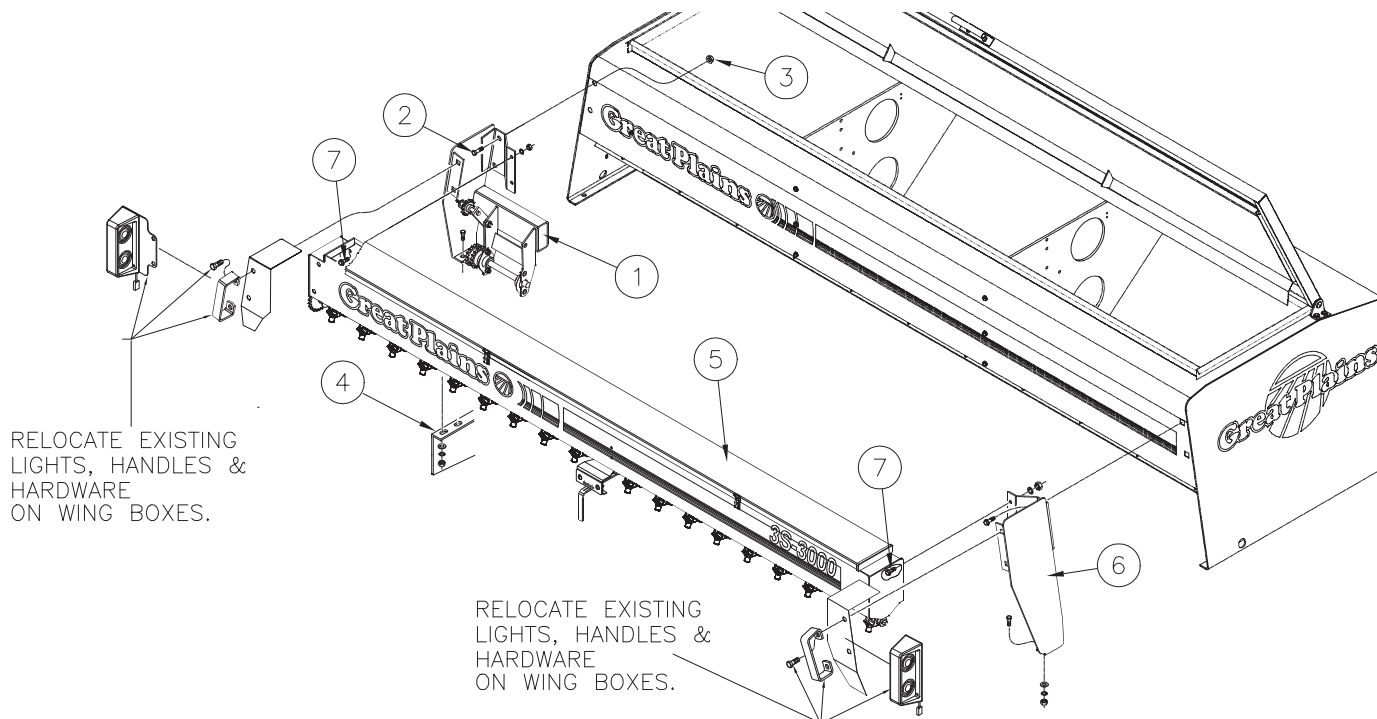
## Definitions

Right and left as used in this manual are determined by facing the direction the drill will travel in the field.

## Small Seeds Box and Rear Drive Assembly

Refer to Figure 1

1. Working at left-hand side of drill remove handle and light assembly from the back side of the drill box and set aside. Keep hardware for later use.
2. Fasten top of left-hand mount and drive assembly (1) using 1/2" x 1 1/4" bolts (2) and 1/2" flange nuts (3) to the rear of the drill box at the holes where the handle and light assembly were removed.
3. Attach lower part of mount (1) to the hole in the mount channel (4) using 1/2" x 1" bolt, 1/2" flat washer, 1/2" lock washer and 1/2" nut.
4. On the right-hand side of the drill box remove the two bolts from the back side. Fasten top of right-hand box mount (6) to the drill box using 1/2" x 1 1/4" bolts (2) and 1/2" flange nuts (3) to the rear of main drill box at the holes where the bolts were removed.
5. Attach lower part of mount (6) to the hole in the mount channel using 1/2" x 1" bolt, 1/2" flat washer, 1/2" lock washer and 1/2" nut.
6. Attach the small seeds box (5) to the mounts (1) and (6) using 3/8" x 1" hex flange bolt (7), 3/8" lock washer and 3/8" nut.
7. Install 62 pitch chain on the sprocket located on the end of the small seed box, and over the sprocket of the drive mount assembly which is lined up with it. adjust the idler to tighten the chain.
8. The installation will be the same for the other two boxes except there are no handles and lights on the center box and the handle and light are on the right-hand side of the right box.



**Figure 1**  
**Small Seeds Box**

20097

## Assembly

# Front Drive Assembly

Note: For drills without the fertilizer kit it will be necessary to first install the fertilizer drive.

### Refer to Figure 2

1. Attach the fertilizer drive mount angle (1) to the fertilizer drive mount weldment (2) as shown using 1/2" x 1 1/4" bolts, 1/2" lock washers and 1/2" nuts.
2. Mount bearing and flangettes (3) to the fertilizer drive mount weldment using 5/16" x 1" carriage bolts, 5/16" lock washers and 5/16" nuts.
3. Install an idler sprocket (4), a jam nut, and a flat washer on bolt. Install the bolt in slotted hole in fertilizer drive mount weldment. Install flat washer and flanged lock nut on bolt. Repeat procedure to install second idler sprocket.

### Refer to Figure 3

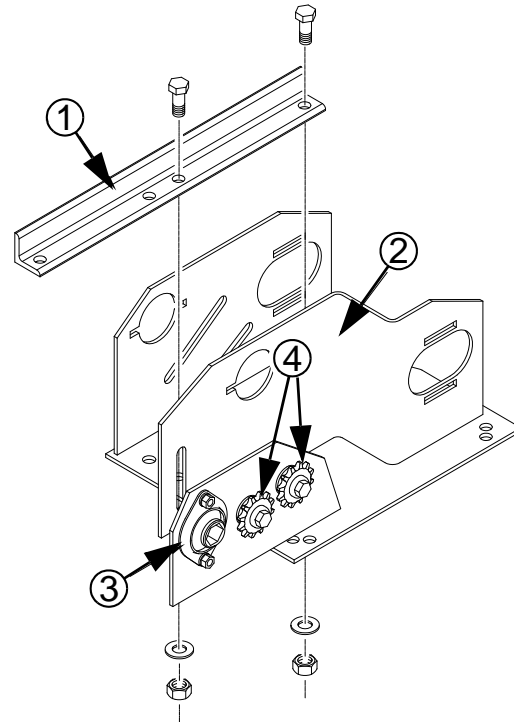
4. Mount the assembled fertilizer drive mount weldment (2) to the inside of the drill frame using 1/2" x 1 1/4" bolts, 1/2" lock washers and 1/2" nuts. Use the existing holes located in the forward left portion of the drill frame.
5. Clamp the drive mount angle to the frame tube using a 1/2" x 6" x 7 1/4" U-bolt, 1/2" lock washers and 1/2" nuts.
6. Slide bearing and flangettes (4) on to the shaft (6) and insert the shaft into the bearing mounting hole indicated by (5).
7. Mount bearing and flangettes (4) at location (5). Slide the 23 tooth sprocket (7) on to the shaft and hold it in place with a 1/4" x 1 1/2" roll pin on each side.
8. Slide the other end of shaft (6) into the bearing which was previously installed on drive mount weldment (2).
9. Slide the 14 tooth sprocket (9) on to the shaft and hold it in place with a 1/4" x 1 1/2" roll pin on each side.
10. Mount the idler sprocket (8) in the slotted hole that is right above the bearing mounted at location (5). Slide the idler on to a 1/2" x 3 1/2" bolt, then add a 1/2" jam nut followed by a 1/2" flat washer. Insert bolt into the slot, then add a 1/2" flat washer, 1/2" lock washer and a 1/2" jam nut. Leave bolt loose while installing chain.
11. Install 51 pitch chain on the sprockets then slide the idler until the chain is tight and tighten idler bolt.
12. Repeat above steps to install fertilizer drive on the other drill sections.

Note: For drills that already have the fertilizer kit installed it will only be necessary to add the 14 tooth sprocket (9). Use step 8 above to install.

13. Install the 203 pitch chain around the 14 tooth sprocket (9) and the sprocket located on the rear drive assembly.

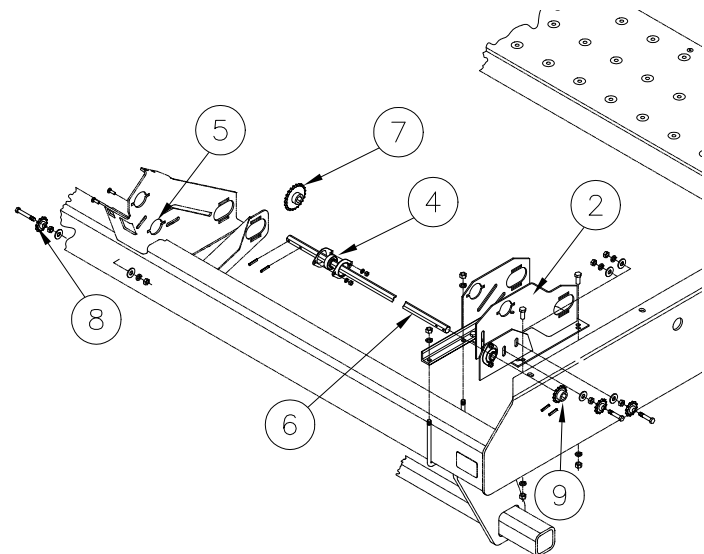
### Refer to Figure 1 on page 1

14. Install the right-hand and left-hand chain guards and reattach the handles and light assemblies removed in the first step.



**Figure 2**  
**Fertilizer Drive Weldment**

20099



**Figure 3**  
**Front Drive Assembly**

20098

## Seed Tube Assembly

Note: For drills without a fertilizer kit use seed tube P/N 123-939H and use the following instructions.

### Refer to Figure 4

1. Insert the seed tube (1) into the hole on the top of the opener. Add reinforcement ring (7) and secure in place with a number 10-16 x 1/2" screw (2).
2. Slide a hose clamp (4) over the hose (3). Slide the end of the hose over the seed tube and secure it in place with the hose clamp.
3. Slide a hose clamp (4) over the other end of the hose and slide the hose over the seed outlet which corresponds with the appropriate opener. Secure hose in place with the hose clamp. Repeat the above steps to install the rest of the seed tubes and hoses.

Note: For drills with a fertilizer kit use seed tube P/N 133-128H and use the following instructions.

### Refer to Figure 4

1. Set the side delivery (5) down over the top of the opener directly in front of the fertilizer tube. Line up the holes with the holes in the opener and insert the 3/8" x 3 5/8" bolt and secure bolt with a 3/8" lock nut.
2. Slide a hose clamp (4) over the hose (3). Slide the end of the hose over the seed tube and secure it in place with the hose clamp.
3. Slide a hose clamp (4) over the other end of the hose and slide the hose over the seed outlet which corresponds with the appropriate opener. Secure hose in place with the hose clamp. Repeat the above steps to install the rest of the seed tubes and hoses.

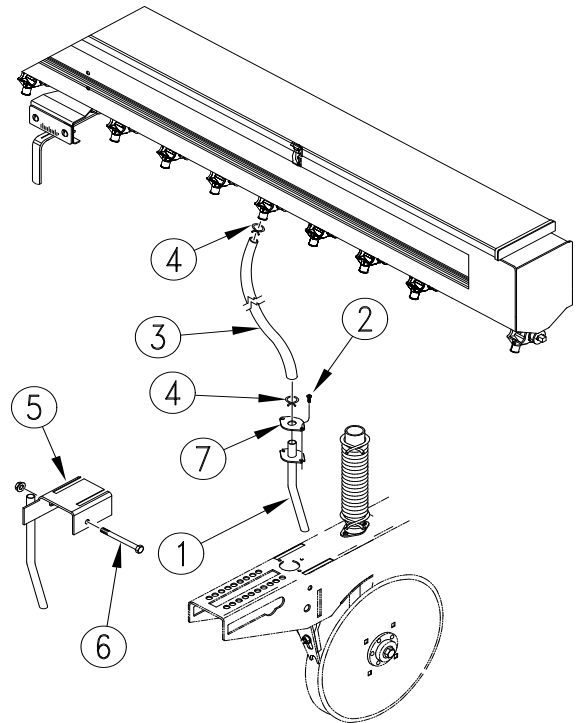


Figure 4  
Seed Tube and Hose

20101

## SMV Sign Attachment

### Refer to Figure 5

1. Attach SMV bracket (1) to the walkboard on the center box using 5/16" x 3/4" bolts (2), 5/16" lock washers and 5/16" nuts.

Note: For drills built prior to 4/10/02 it will be necessary to drill holes in the walkboard in order to mount the bracket. Use the bracket as a template to mark the holes then drill two 11/32" holes.

2. Attach SMV sign (3) to the bracket (1) using 1/4" x 3/4" bolts, 1/4" lock washers and 1/4" nuts.

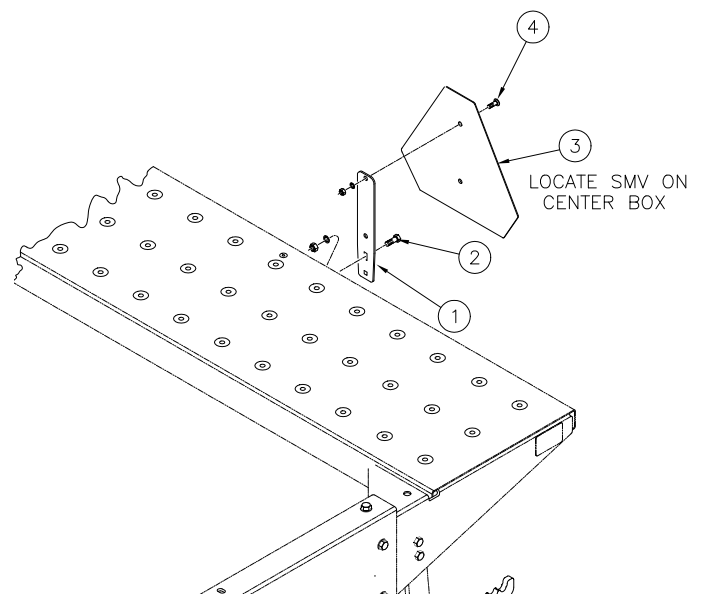


Figure 5  
SMV Sign

20103

## Seed Rate Calibration

NOTE: Seeding rates will vary greatly with variations in sizes of the seeds. The seeding rates listed in this manual are based on average seed size. We recommend that you test and adjust your drill using the procedure below to help ensure an accurate seeding rate.

1. Jack up the wing gauge wheels and rotate them to see that the feed cups and drives are working properly and are free from foreign matter. The right wing gauge wheel drives the center section, but the drive does not engage unless the drill is completely unfolded.
2. Set the desired DRIVE TYPE from the rate chart by choosing the correct drive type sprocket from the four available 7/8" hex bore quick-change sprockets. Route the chain according to the decal and tighten the chain by sliding the 12 tooth idler sprockets in the slots. Make sure the DRIVE TYPE SPROCKET lines up with the CLUTCH SPROCKET so the drives run free and true. The wing sections require a blank sprocket between the shaft bearing and the DRIVE TYPE SPROCKET for the chain to align properly.
3. Set the seed rate adjustment handle to the desired chart setting. Make sure all the feed cup doors are in the desired position.
4. There are many factors which will affect seeding rates: seed treatment, weight of seed, size of seed, surface condition of seed, tire configuration, tire pressure and tire slippage. Minor adjustments will probably be needed to compensate for these factors.
5. The pounds-per-acre in the seed rate charts are based on the drill having 9.5L-15 6 PLY ribbed implement tires inflated to 32 psi. on the wing gauge wheels. Check your tires for proper inflation pressure.
6. The large differences in seed size and treatment can cause a wide variation in actual seeding rates. The seed rate charts on the following pages are based on average size seed. This may differ from the seed you are using. Use the seed rate charts as a guide. Set the pounds per acre desired for your row spacing and complete the following procedure to calibrate the drill for your specific seed.
  - a. Place several pounds of seed over three of the feed cups at the outboard drive end of the drill box.
  - b. Disconnect the seed tubes from these three disk openers.
  - c. Lower the opener frames to planting position in order to activate the clutch and raise the proper drive tire off the ground with a jack so it can be rotated by hand.
  - d. Place a container under the three seed tubes to gather the seed as it is metered.

- e. Rotate the drive wheel until one acre has been tallied on the acremeter. This will be 175 rotations on the 30' drill. Be sure to check the three cups to make sure each cup has plenty of seed coming into it.
- f. Weigh the seed which has been metered. Divide by three to get the ounces/pounds metered by each feed cup. Multiply by the number of openers on your drill to arrive at the total pounds-per-acre your drill would meter at that setting. If this figure is different than desired, set your feed cup adjustment handle accordingly.
- g. You may want to repeat the calibration procedure if the results of your calibration vary greatly from the suggested settings contained in this manual.

**REMEMBER:** Tire size, tire air pressure, and field conditions also affect seeding rates. When drilling, check the amount of seed you are using by noting acres drilled, amount of seed added to the drill, and level of seed in each drill box. If you suspect that you are drilling more or less than desired, you may need to adjust the seeding rates slightly to compensate for your field conditions.

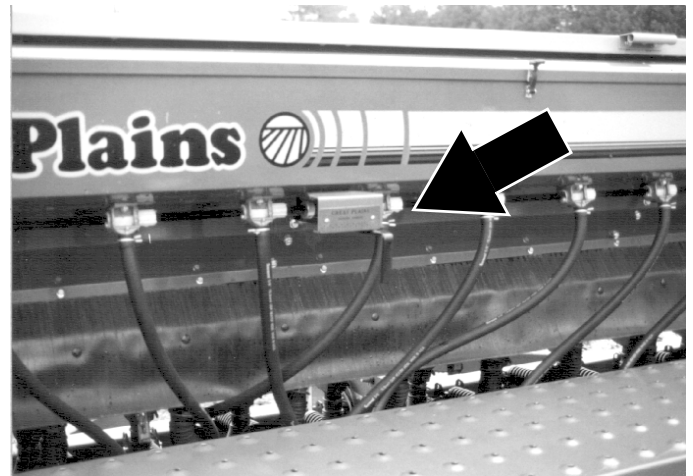
## Assembly

### Small Seeds Attachment

To set and calibrate the seeding rate on the optional small seeds attachment, follow these steps.

Refer to Figure 6

1. Set the seed-rate handle on the small seeds attachment as indicated by the *Small Seeds Rate Chart*, this page. The seed-rate handle for the small seeds attachment is shown.
2. Calibrate the small seeds attachment to your material by following the steps under *Seed Rate Calibration*, on page 4.



**Figure 6**  
Small Seeds Rate Handle

17050

### Small Seeds Rate Chart

Setting Number		5	10	15	20	25	30	35	40	45	50	55	60	65	70	75	80	85	90	95	100	
<b>Kentucky Blue Grass, Fescue, Annual Rye Grass</b>	Row Spacing	6"	0	.2	1.2	1.9	2.7	3.3	4.1	4.6	5.2	5.8	6.3	6.8	7.3	7.8	8.3	8.8	9.2	9.7	10.0	10.5
		7.5"	0	.2	.9	1.5	2.2	2.7	3.3	3.7	4.2	4.6	5.1	5.5	5.9	6.3	6.7	7.0	7.4	7.7	8.1	8.4
		10"	0	.1	.7	1.1	1.6	2.0	2.4	2.7	3.1	3.4	3.7	4.0	4.3	4.6	4.9	5.2	5.4	5.7	5.9	6.2
<b>Ladino Clover, Canary Grass, Timothy, Canola</b>	Row Spacing	6"	0	1.1	2.1	3.3	4.7	6.1	7.6	9.2	10.7	12.2	13.8	15.5	17.0	18.5	20.3	21.7	23.4	25.4	27.3	29.2
		7.5"	0	.9	1.6	2.6	3.9	4.9	6.1	7.4	8.6	9.8	11.1	12.5	13.7	14.9	16.3	17.6	18.8	20.4	21.9	23.5
		10"	0	.6	1.5	1.9	2.5	3.6	4.5	5.4	6.3	7.2	8.1	9.1	10.0	10.9	12.0	12.9	13.8	14.9	16.1	17.2
<b>Bermuda, Red Top, Unhulled Lespedeza, Sericia, Sand &amp; Weeping Love Grass</b>	Row Spacing	6"	0	.7	1.1	1.7	2.6	3.3	4.1	5.0	5.9	6.6	7.2	7.8	8.4	9.0	9.5	10.2	10.9	11.6	12.2	12.9
		7.5"	0	.5	.9	1.4	2.1	2.6	3.3	4.0	4.7	5.3	5.8	6.3	6.7	7.2	7.6	8.2	8.8	9.3	9.8	10.4
		10"	0	.4	.6	1.0	1.5	1.9	2.4	3.0	3.5	3.9	4.2	4.6	4.9	5.3	5.6	6.0	6.4	6.8	7.2	7.6
<b>Red &amp; Sweet Clover, Lespedeza Hulled</b>	Row Spacing	6"	0	1.5	3.4	5.2	7.1	9.0	11.3	13.2	15.3	17.0	19.0	20.8	22.5	24.5	26.4	28.3	30.1	32.1	33.8	35.6
		7.5"	0	1.2	2.7	4.2	5.7	7.2	9.1	10.6	12.3	13.7	15.3	16.7	18.1	19.7	21.2	22.7	24.2	25.8	27.2	28.6
		10"	0	.9	2.0	3.1	4.2	5.3	6.7	7.8	9.0	10.0	11.2	12.2	13.3	14.4	15.6	16.6	17.8	18.9	19.9	20.9
<b>Bird's-foot Trefoil, Sudan</b>	Row Spacing	6"	0	1.7	3.3	5.2	6.8	8.7	10.7	12.7	14.7	16.8	19.2	21.2	23.4	25.6	28.0	29.9	32.1	34.2	36.3	38.4
		7.5"	0	1.4	2.6	4.2	5.4	7.0	8.6	10.2	11.9	13.5	15.4	17.0	18.8	20.5	22.5	24.0	25.8	27.6	29.1	30.9
		10"	0	1.0	1.9	3.1	4.0	5.1	6.3	7.5	8.6	9.9	11.3	12.5	13.8	15.1	16.5	17.6	18.9	20.2	21.4	22.7
<b>Orchard Grass</b>	Row Spacing	6"	0	0	.3	.7	.9	1.3	1.5	2.0	2.4	2.8	3.3	3.5	3.9	4.4	4.8	5.0	5.5	5.7	6.1	6.3
		7.5"	0	0	.2	.5	.7	1.1	1.2	1.6	1.9	2.3	2.6	2.8	3.2	3.5	3.9	4.0	4.4	4.6	4.9	5.1
		10"	0	0	.1	.4	.5	.8	.9	1.2	1.4	1.7	1.9	2.1	2.3	2.6	2.8	3.0	3.2	3.3	3.6	3.7
<b>Millet, Reed Canary</b>	Row Spacing	6"	.4	1.4	2.4	3.5	4.4	5.5	6.5	7.5	8.5	9.5	10.5	11.5	12.5	13.6	14.6	15.6	16.6	17.6	18.5	19.0
		7.5"	.3	1.2	2.0	2.8	3.6	4.4	5.2	6.0	6.8	7.6	8.4	9.3	10.1	10.9	11.7	12.5	13.3	14.1	14.9	15.1
		10"	.3	.8	1.4	2.0	2.6	3.2	3.8	4.4	5.0	5.6	6.2	6.8	7.4	8.0	8.6	9.2	9.8	10.4	10.9	11.5
<b>Alfalfa, Red Alsike, Crimson Clover</b>	Row Spacing	6"	0	2.2	3.5	4.8	6.0	7.5	8.7	9.8	11.2	12.5	13.8	15.1	16.4	17.5	18.6	20.2	21.4	22.9	24.0	25.2
		7.5"	0	1.8	2.8	3.9	4.8	6.0	7.0	7.9	9.0	10.0	11.1	12.1	13.2	14.0	15.3	16.2	17.2	18.3	19.3	20.3
		10"	0	1.3	2.1	2.8	3.5	4.4	5.1	5.8	6.6	7.4	8.1	8.9	9.7	10.3	11.2	11.9	12.6	13.4	14.2	14.9

## Assembly

### 133-200A 3s-3000 Without Fertilizer Kit 10" Small Seeds Option

Your Kit Includes

3	123-492D	HANDLE MOUNT RH CHAIN GUARD
36	123-939H	SMALL SEEDS TUBE WELDMENT
3	133-160H	1300 SML SDS BOX MOUNT RH
1	133-070D	3000 SMV MOUNTING BLADE
3	133-162K	2600 SMLSDS LH MOUNT&DRIVE ASY
3	133-206K	3000 SML SDS BOX ASSY 10
1	133-216M	MANUAL 3000 SMALL SDS INSTALL
3	136-064D	CHAIN RL #40 51 PITCHES
3	136-104D	CHAIN RL #40 62 PITCHES
3	136-183D	CHAIN RL #40 203 PITCHES
3	123-491D	1000 SMALL SEEDS CHAIN GUARD
3	195-145H	FERTILIZER DRIVE WELDMENT
3	195-211D	HEX SHAFT 7/8, AUXILIARY POWER
3	195-212D	ANGLE, FERTILIZER DRIVE MOUNT
72	800-321C	HOSE CLAMP NO.12 3/4 ID
72	801-002C	SCREW HEX SLT10-16X1/2P.THD CT
2	802-004C	HHCS 1/4-20X3/4 GR5
2	802-007C	HHCS 5/16-18X3/4 GR5
24	802-034C	HHCS 1/2-13X1 1/4 GR5
3	802-041C	HHCS 1/2-13X3 1/2 GR5
6	802-258C	HHCS 1/2-13X1 GR5
12	802-282C	RHSNB 5/16-18X1 GR5
12	802-388C	HFS 3/8-16X1 GR5
2	803-006C	NUT HEX 1/4-20 PLT
14	803-008C	NUT HEX 5/16-18 PLT
12	803-014C	NUT HEX 3/8-16 PLT
6	803-019C	NUT LOCK 1/2-13 PLT
18	803-020C	NUT HEX 1/2-13 PLT
6	803-036C	NUT HEX JAM 1/2-13 PLT
12	803-169C	NUT HEX FLG. LOCK 1/2-13 PLT
2	804-006C	WASHER LOCK SPRING 1/4 PLT
14	804-009C	WASHER LOCK SPRING 5/16 PL
12	804-013C	WASHER LOCK SPRING 3/8 PLT
21	804-015C	WASHER LOCK SPRING 1/2 PLT
12	804-016C	WASHER FLAT 1/2 SAE PLT
6	804-017C	WASHER FLAT 1/2 USS PLT
12	805-180C	PIN ROLL 1/4 X 1 1/2 LG PLT
3	806-060C	U-BOLT 1/2-13 X 6 1/32 X 7 1/4
3	808-256C	SPKT 40B23 X 7/8 HEX BORE
3	808-259C	SPKT 40B14 X 7/8 HEX BORE
36	816-358C	SGS HOSE 122 RIBS
3	817-025C	NO. 40 12T IDLER SPKT.
1	818-055C	DECAL SLOW MOVING-GALV. BACKED
1	818-207C	DECAL GRASS SEEDER SEED RATE ADJ.
1	818-245C	DECAL GRASS SEED RATE
12	822-032C	FLANGETTE 52 MST
6	822-119C	BRG.7/8HEX BR 52MM SPHRICAL OD
30	838-160C	DECAL 3 COLOR STRIPE 2.50 WIDE
1	838-161C	DECAL LOGO&GP F/STRIPE 4 X 24
1	838-204C	DECAL 3S-3000

**133-201A 3S-3000 Without Fertilizer Kit 7 1/2" Small Seeds Option**

Your Kit Includes

3	123-492D	HANDLE MOUNT RH CHAIN GUARD
48	123-939H	SMALL SEEDS TUBE WELDMENT
3	133-160H	1300 SML SDS BOX MOUNT RH
1	133-070D	3000 SMV MOUNTING BLADE
3	133-162K	2600 SMLSDS LH MOUNT&DRIVE ASY
3	133-207K	3000 SML SDS BOX ASSY 7.5
1	133-216M	MANUAL 3000 SMALL SDS INSTALL
3	136-064D	CHAIN RL #40 51 PITCHES
3	136-104D	CHAIN RL #40 62 PITCHES
3	136-183D	CHAIN RL #40 203 PITCHES
3	123-491D	1000 SMALL SEEDS CHAIN GUARD
3	195-145H	FERTILIZER DRIVE WELDMENT
3	195-211D	HEX SHAFT 7/8, AUXILIARY POWER
3	195-212D	ANGLE, FERTILIZER DRIVE MOUNT
96	800-321C	HOSE CLAMP NO.12 3/4 ID
96	801-002C	SCREW HEX SLT10-16X1/2P.THD CT
2	802-004C	HHCS 1/4-20X3/4 GR5
2	802-007C	HHCS 5/16-18X3/4 GR5
24	802-034C	HHCS 1/2-13X1 1/4 GR5
3	802-041C	HHCS 1/2-13X3 1/2 GR5
6	802-258C	HHCS 1/2-13X1 GR5
12	802-282C	RHSNB 5/16-18X1 GR5
12	802-388C	HFS 3/8-16X1 GR5
2	803-006C	NUT HEX 1/4-20 PLT
14	803-008C	NUT HEX 5/16-18 PLT
12	803-014C	NUT HEX 3/8-16 PLT
6	803-019C	NUT LOCK 1/2-13 PLT
18	803-020C	NUT HEX 1/2-13 PLT
6	803-036C	NUT HEX JAM 1/2-13 PLT
12	803-169C	NUT HEX FLG. LOCK 1/2-13 PLT
2	804-006C	WASHER LOCK SPRING 1/4 PLT
14	804-009C	WASHER LOCK SPRING 5/16 PL
12	804-013C	WASHER LOCK SPRING 3/8 PLT
21	804-015C	WASHER LOCK SPRING 1/2 PLT
12	804-016C	WASHER FLAT 1/2 SAE PLT
6	804-017C	WASHER FLAT 1/2 USS PLT
12	805-180C	PIN ROLL 1/4 X 1 1/2 LG PLT
3	806-060C	U-BOLT 1/2-13 X 6 1/32 X 7 1/4
3	808-256C	SPKT 40B23 X 7/8 HEX BORE
3	808-259C	SPKT 40B14 X 7/8 HEX BORE
48	816-358C	SGS HOSE 122 RIBS
3	817-025C	NO. 40 12T IDLER SPKT.
1	818-055C	DECAL SLOW MOVING-GALV. BACKED
1	818-207C	DECAL GRASS SEEDER SEED RATE ADJ.
1	818-245C	DECAL GRASS SEED RATE
12	822-032C	FLANGETTE 52 MST
6	822-119C	BRG.7/8HEX BR 52MM SPHRICAL OD
30	838-160C	DECAL 3 COLOR STRIPE 2.50 WIDE
1	838-161C	DECAL LOGO&GP F/STRIPE 4 X 24
1	838-204C	DECAL 3S-3000

## Assembly

### 133-202A 3S-3000 Without Fertilizer Kit 6" Small Seeds Option

Your Kit Includes

3	123-492D	HANDLE MOUNT RH CHAIN GUARD
60	123-939H	SMALL SEEDS TUBE WELDMENT
3	133-160H	1300 SML SDS BOX MOUNT RH
1	133-070D	3000 SMV MOUNTING BLADE
3	133-162K	2600 SMLSDS LH MOUNT&DRIVE ASY
3	133-208K	3000 SML SDS BOX ASSY 6
1	133-216M	MANUAL 3000 SMALL SDS INSTALL
3	136-064D	CHAIN RL #40 51 PITCHES
3	136-104D	CHAIN RL #40 62 PITCHES
3	136-183D	CHAIN RL #40 203 PITCHES
3	123-491D	1000 SMALL SEEDS CHAIN GUARD
3	195-145H	FERTILIZER DRIVE WELDMENT
3	195-211D	HEX SHAFT 7/8, AUXILIARY POWER
3	195-212D	ANGLE, FERTILIZER DRIVE MOUNT
120	800-321C	HOSE CLAMP NO.12 3/4 ID
120	801-002C	SCREW HEX SLT10-16X1/2P.THD CT
2	802-004C	HHCS 1/4-20X3/4 GR5
2	802-007C	HHCS 5/16-18X3/4 GR5
24	802-034C	HHCS 1/2-13X1 1/4 GR5
3	802-041C	HHCS 1/2-13X3 1/2 GR5
6	802-258C	HHCS 1/2-13X1 GR5
12	802-282C	RHSNB 5/16-18X1 GR5
12	802-388C	HFS 3/8-16X1 GR5
2	803-006C	NUT HEX 1/4-20 PLT
14	803-008C	NUT HEX 5/16-18 PLT
12	803-014C	NUT HEX 3/8-16 PLT
6	803-019C	NUT LOCK 1/2-13 PLT
18	803-020C	NUT HEX 1/2-13 PLT
6	803-036C	NUT HEX JAM 1/2-13 PLT
12	803-169C	NUT HEX FLG. LOCK 1/2-13 PLT
2	804-006C	WASHER LOCK SPRING 1/4 PLT
14	804-009C	WASHER LOCK SPRING 5/16 PL
12	804-013C	WASHER LOCK SPRING 3/8 PLT
21	804-015C	WASHER LOCK SPRING 1/2 PLT
12	804-016C	WASHER FLAT 1/2 SAE PLT
6	804-017C	WASHER FLAT 1/2 USS PLT
12	805-180C	PIN ROLL 1/4 X 1 1/2 LG PLT
3	806-060C	U-BOLT 1/2-13 X 6 1/32 X 7 1/4
3	808-256C	SPKT 40B23 X 7/8 HEX BORE
3	808-259C	SPKT 40B14 X 7/8 HEX BORE
60	816-358C	SGS HOSE 122 RIBS
3	817-025C	NO. 40 12T IDLER SPKT.
1	818-055C	DECAL SLOW MOVING-GALV. BACKED
1	818-207C	DECAL GRASS SEEDER SEED RATE ADJ.
1	818-245C	DECAL GRASS SEED RATE
12	822-032C	FLANGETTE 52 MST
6	822-119C	BRG.7/8HEX BR 52MM SPHRICAL OD
30	838-160C	DECAL 3 COLOR STRIPE 2.50 WIDE
1	838-161C	DECAL LOGO&GP F/STRIPE 4 X 24
1	838-204C	DECAL 3S-3000



## Listing of Parts

### 133-203A 3S-3000 With Fertilizer Kit 10" Small Seeds Option

Your Kit Includes

Qty.	Part No.	Part Description
3	123-492D	HANDLE MOUNT RH CHAIN GUARD
3	133-160H	1300 SML SDS BOX MOUNT RH
1	133-070D	3000 SMV MOUNTING BLADE
36	133-128H	SGS SIDE DELIVERY TUBE
3	133-162K	2600 SMLSDS LH MOUNT&DRIVE ASY
3	133-206K	3000 SML SDS BOX ASSY 10
1	133-216M	MANUAL 3000 SMALL SDS INSTALL
3	136-104D	CHAIN RL #40 62 PITCHES
3	136-183D	CHAIN RL #40 203 PITCHES
1	123-491D	1000 SMALL SEEDS CHAIN GUARD
72	800-321C	HOSE CLAMP NO.12 3/4 ID
2	802-004C	HHCS 1/4-20X3/4 GR5
2	802-007C	HHCS 5/16-18X3/4 GR5
12	802-034C	HHCS 1/2-13X1 1/4 GR5
6	802-258C	HHCS 1/2-13X1 GR5
12	802-388C	HFS 3/8-16X1 GR5
48	802-427C	HFS 3/8-16 X 3 5/8
2	803-006C	NUT HEX 1/4-20 PLT
2	803-008C	NUT HEX 5/16-18 PLT
12	803-014C	NUT HEX 3/8-16 PLT
6	803-020C	NUT HEX 1/2-13 PLT
12	803-169C	NUT HEX FLG. LOCK 1/2-13 PLT
48	803-209C	LOCK NUT FLANGE 3/8-16 PLT
2	804-006C	WASHER LOCK SPRING 1/4 PLT
2	804-009C	WASHER LOCK SPRING 5/16 PLT
12	804-013C	WASHER LOCK SPRING 3/8 PLT
6	804-015C	WASHER LOCK SPRING 1/2 PLT
6	804-016C	WASHER FLAT 1/2 SAE PLT
6	805-180C	PIN ROLL 1/4 X 1 1/2 LG PLT
1	808-259C	SPKT 40B14 X 7/8 HEX BORE
36	816-358C	SGS HOSE 122 RIBS
1	818-055C	DECAL SLOW MOVING-GALV. BACKED
1	818-207C	DECAL GRASS SEEDER SEED RATE ADJ.
1	818-245C	DECAL GRASS SEED RATE
30	838-160C	DECAL 3 COLOR STRIPE 2.50 WIDE
1	838-161C	DECAL LOGO&GP F/STRIPE 4 X 24
1	838-204C	DECAL 3S-3000

## Listing of Parts

### 133-204A 3S-3000 With Fertilizer Kit 7 1/2" Small Seeds Option

Your Kit Includes

Qty.	Part No.	Part Description
3	123-492D	HANDLE MOUNT RH CHAIN GUARD
3	133-160H	1300 SML SDS BOX MOUNT RH
1	133-070D	3000 SMV MOUNTING BLADE
48	133-128H	SGS SIDE DELIVERY TUBE
3	133-162K	2600 SMLSDS LH MOUNT&DRIVE ASY
3	133-207K	3000 SML SDS BOX ASSY 7.5
1	133-216M	MANUAL 3000 SMALL SDS INSTALL
3	136-104D	CHAIN RL #40 62 PITCHES
3	136-183D	CHAIN RL #40 203 PITCHES
3	123-491D	1000 SMALL SEEDS CHAIN GUARD
96	800-321C	HOSE CLAMP NO.12 3/4 ID
2	802-004C	HHCS 1/4-20X3/4 GR5
2	802-007C	HHCS 5/16-18X3/4 GR5
12	802-034C	HHCS 1/2-13X1 1/4 GR5
6	802-258C	HHCS 1/2-13X1 GR5-GALV.
12	802-388C	HFS 3/8-16X1 GR5
48	802-427C	HFS 3/8-16 X 3 5/8
2	803-006C	NUT HEX 1/4-20 PLT
2	803-008C	NUT HEX 5/16-18 PLT
12	803-014C	NUT HEX 3/8-16 PLT
6	803-020C	NUT HEX 1/2-13 PLT
12	803-169C	NUT HEX FLG. LOCK 1/2-13 PLT
48	803-209C	LOCK NUT FLANGE 3/8-16 PLT
2	804-006C	WASHER LOCK SPRING 1/4 PLT
2	804-009C	WASHER LOCK SPRING 5/16 PL
12	804-013C	WASHER LOCK SPRING 3/8 PLT
6	804-015C	WASHER LOCK SPRING 1/2 PLT
6	804-016C	WASHER FLAT 1/2 SAE PLT
6	805-180C	PIN ROLL 1/4 X 1 1/2 LG PLT
3	808-259C	SPKT 40B14 X 7/8 HEX BORE
48	816-358C	SGS HOSE 122 RIBS
1	818-055C	DECAL SLOW MOVING-GALV. BACKED
1	818-207C	DECAL GRASS SEEDER SEED RATE ADJ.
1	818-245C	DECAL GRASS SEED RATE
30	838-160C	DECAL 3 COLOR STRIPE 2.50 WIDE
1	838-161C	DECAL LOGO&GP F/STRIPE 4 X 24
1	838-204C	DECAL 3S-3000

**Listing of Parts****133-205A 3S-3000 With Fertilizer Kit 6" Small Seeds Option**

Your Kit Includes

Qty.	Part No.	Part Description
3	123-492D	HANDLE MOUNT RH CHAIN GUARD
3	133-160H	1300 SML SDS BOX MOUNT RH
1	133-070D	3000 SMV MOUNTING BLADE
60	133-128H	SGS SIDE DELIVERY TUBE
3	133-162K	2600 SMLSDS LH MOUNT&DRIVE ASY
3	133-208K	3000 SML SDS BOX ASSY 6
1	133-216M	MANUAL 3000 SMALL SDS INSTALL
3	136-104D	CHAIN RL #40 62 PITCHES
3	136-183D	CHAIN RL #40 203 PITCHES
3	123-491D	1000 SMALL SEEDS CHAIN GUARD
120	800-321C	HOSE CLAMP NO.12 3/4 ID
2	802-004C	HHCS 1/4-20X3/4 GR5
2	802-007C	HHCS 5/16-18X3/4 GR5
12	802-034C	HHCS 1/2-13X1 1/4 GR5
6	802-258C	HHCS 1/2-13X1 GR5-GALV.
12	802-388C	HFS 3/8-16X1 GR5
48	802-427C	HFS 3/8-16 X 3 5/8
2	803-006C	NUT HEX 1/4-20 PLT
2	803-008C	NUT HEX 5/16-18 PLT
12	803-014C	NUT HEX 3/8-16 PLT
6	803-020C	NUT HEX 1/2-13 PLT
12	803-169C	NUT HEX FLG. LOCK 1/2-13 PLT
48	803-209C	LOCK NUT FLANGE 3/8-16 PLT
2	804-006C	WASHER LOCK SPRING 1/4 PLT
2	804-009C	WASHER LOCK SPRING 5/16 PLT
12	804-013C	WASHER LOCK SPRING 3/8 PLT
6	804-015C	WASHER LOCK SPRING 1/2 PLT
6	804-016C	WASHER FLAT 1/2 SAE PLT
6	805-180C	PIN ROLL 1/4 X 1 1/2 LG PLT
1	808-259C	SPKT 40B14 X 7/8 HEX BORE
60	816-358C	SGS HOSE 122 RIBS
1	818-055C	DECAL SLOW MOVING-GALV. BACKED
1	818-207C	DECAL GRASS SEEDER SEED RATE ADJ.
1	818-245C	DECAL GRASS SEED RATE
30	838-160C	DECAL 3 COLOR STRIPE 2.50 WIDE
1	838-161C	DECAL LOGO&GP F/STRIPE 4 X 24
1	838-204C	DECAL 3S-3000

---

**Great Plains Manufacturing, Inc.**

Corporate Office: P.O. Box 5060  
Salina, Kansas 67402-5060 USA

---