

**Assembly Instructions for the Rolling Harrow
Turbo-Till
Effective Date 04/04/05**

Your initial action is to locate the correct drag frame (61). Bolt the drag frame to the rear drag plates located on the rear of your Great Plains Turbo Till, using 5/8x1 ½ hex bolts [(43) 802-051C] with 5/8" hex nuts [(25) 803-021C] and 5/8" lock washers [(26) 804-022C]. The rolling harrow gangs shown in figure 4 will come to you assembled. Your next step is to locate the ball joint assemblies [(59) 589-064H]. Figure 4 shows you the dimensions to mount the ball joint assemblies on the rolling harrow gang.

Mount the rolling harrow brackets [(60) 589-057H] to the under side of the drag frames according to the dimensions in figures 1-3, using a 5/8x3x4 ½ u-bolt [(44) 806-183C] with a lock washer and nut. You may tighten the u-bolts on all the brackets that are closest to the rear of the machine. Leave the front brackets loose to slide until the rolling harrow assemblies are hung under the frame. Use the 1x4 hex bolt and 1" nylock nut through the harrow brackets (589-057H) and ball joint assemblies [(59) 589-064H] to hang the rolling harrow gangs under the frame. Be careful to put the proper gang in the proper location and be sure that the assemblies are positioned correctly as shown in figure 4. When all gangs are hung under the frame and positioned in the correct location, tighten the remaining u-bolts.

1700TT – ROLLING HARROW PLACEMENT @ 22° CENTER

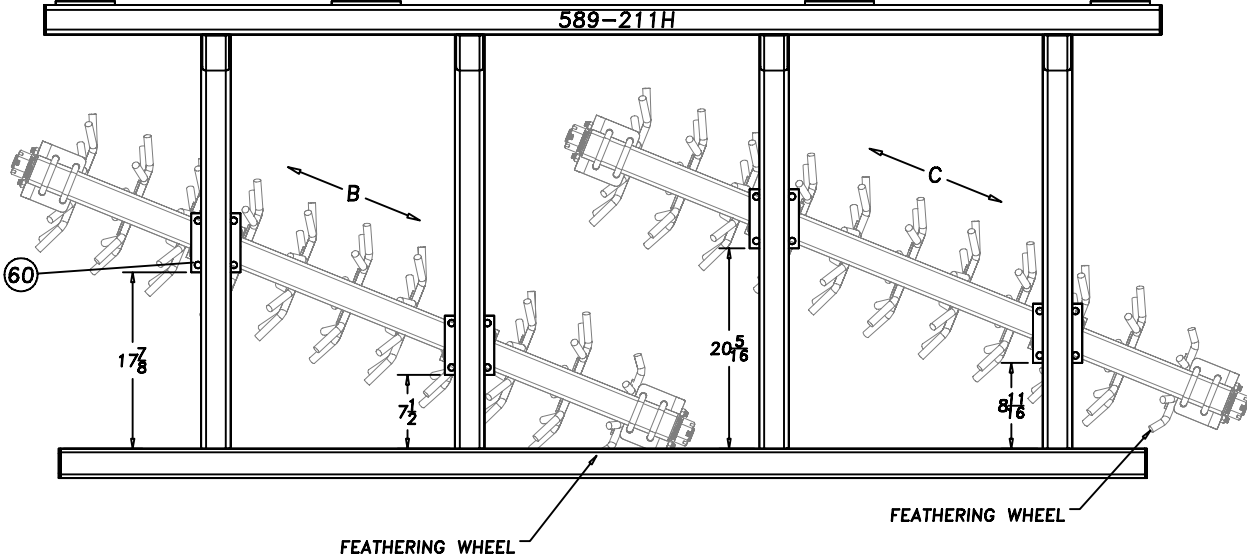


FIG. 1

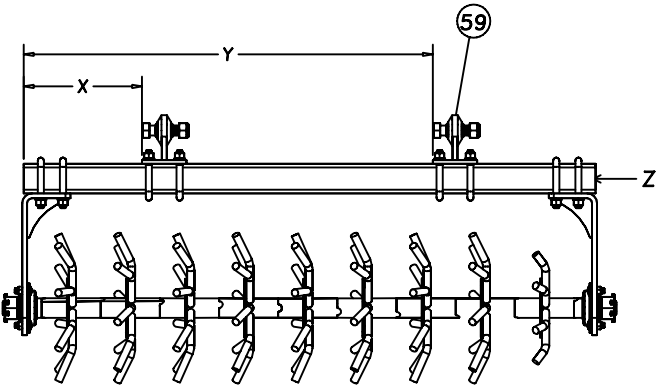


FIG. 4

		BALL JOINT LOCATION		
		X DIM	Y DIM	Z TUBE
A	9 WHEEL	9 1/8"	30 3/4"	58"
B	11 WHEEL	17 3/4"	45 1/2"	70"
C	11 WHEEL	18 1/4"	49 1/4"	70"
D	9 WHEEL	16 1/2"	38 1/4"	58"

1700TT – ROLLING HARROW PLACEMENT @ 22°

LEFT WING

RIGHT WING

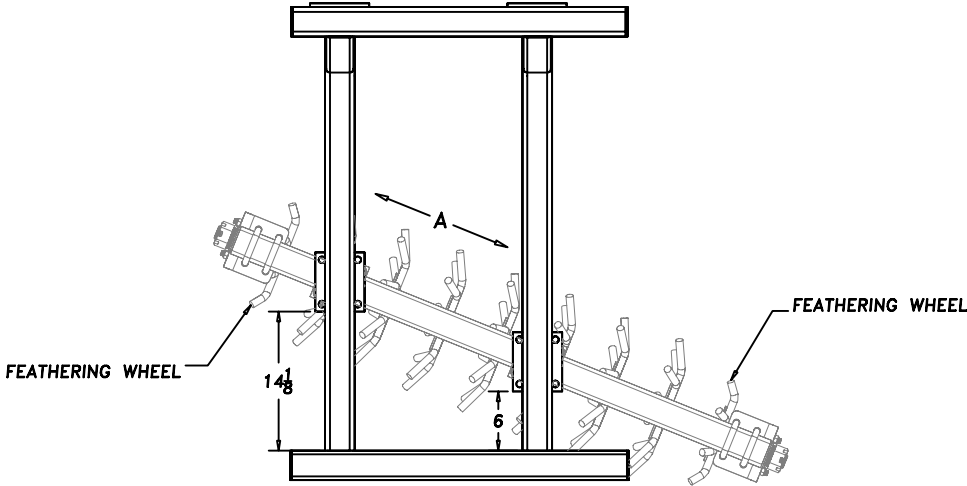


FIG. 2

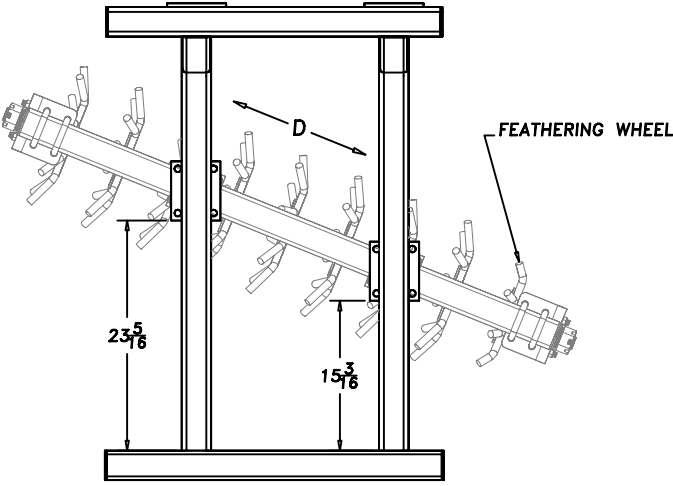


FIG. 3

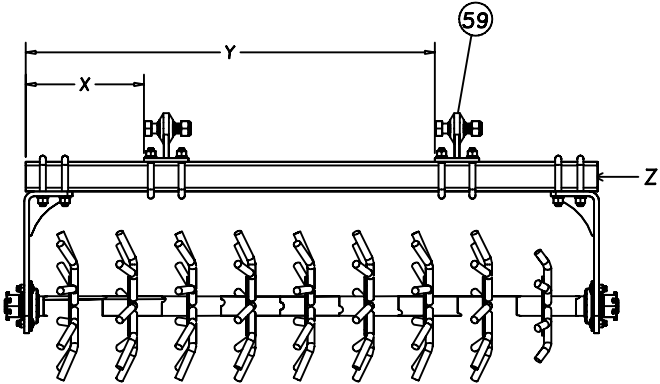
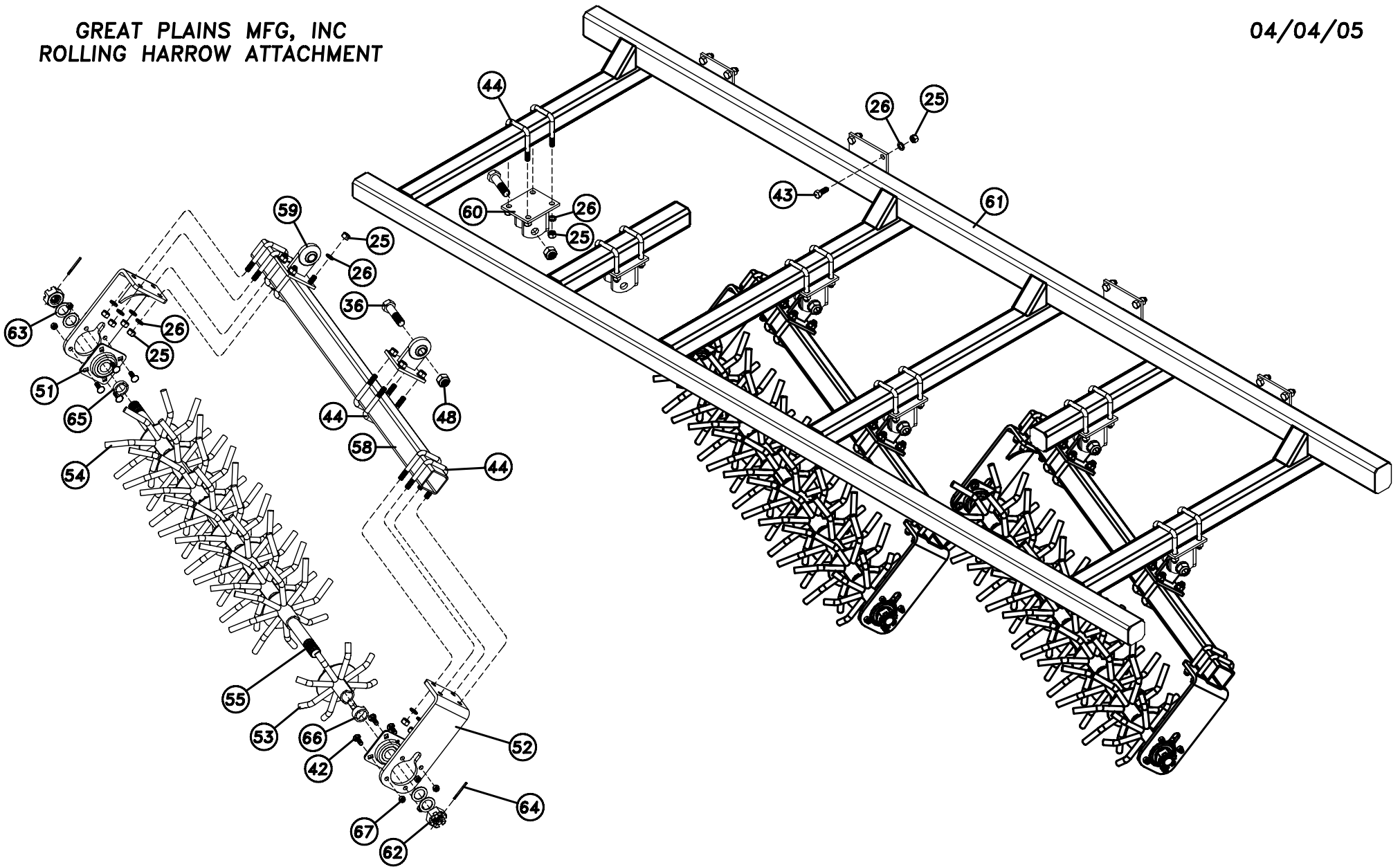


FIG. 4

BALL JOINT LOCATION				
	X DIM	Y DIM	Z TUBE	
A	9 WHEEL	9 1/8"	30 3/4"	58"
B	11 WHEEL	17 3/4"	45 1/2"	70"
C	11 WHEEL	18 1/4"	49 1/4"	70"
D	9 WHEEL	16 1/2"	38 1/4"	58"

GREAT PLAINS MFG, INC
ROLLING HARROW ATTACHMENT

04/04/05





**TURBOTILL FINISHING ATTACHMENTS
ROLLING HARROW**

REF #	DESCRIPTION	PART #
(INDIVIDUAL PARTS INCLUDED IN GANG ASSEMBLIES)		
25	5/8" HEX NUT	803-021C
26	5/8" LOCK WASHER	804-022C
42	1/2 x 1 1/2" CARRIAGE BOLT	802-106C
44	5/8 x 3 x 4 1/2" U-BOLT	806-183C
51	BEARING, 1 1/2" ROUND	822-208C
52	BEARING HANGER LONG	589-257H
53	SPIKE WHEEL SMALL	589-251H
54	SPIDER WHEEL LARGE	589-258H
55	ROLLING SPIKE TUBE (52)	578-001D
	ROLLING SPIKE TUBE (58)	578-002D
	ROLLING SPIKE TUBE (64)	578-003D
	ROLLING SPIKE TUBE (70)	578-004D
	ROLLING SPIKE TUBE (76)	578-005D
	ROLLING SPIKE TUBE (82)	578-006D
58	ROLLING SPIKE BOLT (56 1/4)	578-011D
	ROLLING SPIKE BOLT (62 1/4)	578-012D
	ROLLING SPIKE BOLT (68 1/4)	578-013D
	ROLLING SPIKE BOLT (74 1/4)	578-014D
	ROLLING SPIKE BOLT (80 1/4)	578-015D
	ROLLING SPIKE BOLT (86 1/4)	578-016D
62	1 1/2" HEX NUT, SLOTTED	803-301C
63	WASHER, MACHINE 1 1/2"	804-063C
64	PIN, SPIROL 1/4"X2 1/2"	805-358C
65	SPIDER WHEEL FRONT SPACER	890-860C
66	SPIDER WHEEL REAR SPACER	890-861C
67	1/2" HEX NUT, TOP LOCK	803-342C
ROLLING HARROW GANG MOUNTING HARDWARE		
25	5/8" HEX NUT	803-021C
26	5/8" LOCK WASHER	804-022C
36	1 x 4 HEX BOLT	802-073C
43	5/8 x 1 1/2" HEX BOLT	802-051C
44	5/8 x 3 x 4 1/2" U-BOLT	806-183C
48	1" NYLOCK NUT	803-038C
59	BALL JOINT BRACKET	589-064H
60	BRACKET - ROLLING HARROW	589-057H
61	DRAG FRAME 43 3/4 RH	589-107H
	DRAG FRAME 56 RH	589-108H
	DRAG FRAME 106 RH	589-109H
	DRAG FRAME 109 1/2 RH	589-110H
	DRAG FRAME 129	589-111H
	DRAG FRAME 149	589-112H
	DRAG FRAME 43 3/4 LH	589-113H
	DRAG FRAME 56 LH	589-114H
	DRAG FRAME 106 LH	589-115H
	DRAG FRAME 109 1/2 LH	589-116H
	DRAG FRAME 110	589-211H
	DRAG FRAME 33 3/4 RH	589-253H
	DRAG FRAME 33 3/4 LH	589-254H