

Installation Instructions



No-Till Drill Box Support Update

Used with:

- 40P and 40F



When you see this symbol, the subsequent instructions and warnings are serious - follow without exception. Your life and the lives of others depend on it!

General Information

These instructions explain how to install the Box Support Update Kit.

These instructions apply to:

- | | |
|----------|-------------------------------|
| 197-006A | 3N-40 Box Support Update Kit |
| 197-007A | 3N-40P Box Support Update Kit |

Manual Update

Refer to the drill operator's manual for detailed information on safely operating, adjusting, troubleshooting and maintaining the drill. Refer to the parts manual for part identification.

- | | |
|----------|-------------------|
| 196-286M | Operator's Manual |
| 196-286M | Parts Manual |
| 196-359M | Operator's Manual |
| 196-359M | Parts Manual |

Before You Start

Page 4 is a detailed listing of parts included in the Box Support Update Kit package. Use this list to inventory parts received.

Tools Required

- electric drill
- basic hand tools

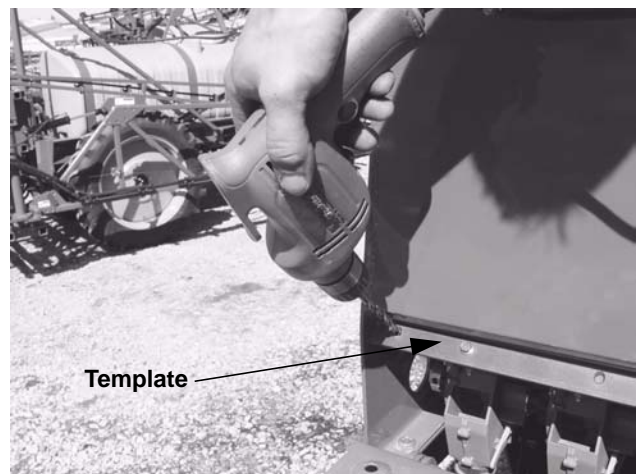
Definitions

Right-hand and left-hand as used in this manual are determined by facing the direction the machine will travel while in use unless otherwise stated.

Assembly Instructions

Refer to Figure 1

1. Remove two bolts from end of tray on rear side of box.
2. Install hole template with bolts removed in step one and tighten.
3. Drill three 5/16" holes using the template as a guide.
4. Remove template and install five 1/4" x 5/8" bolts and 1/4" flange nuts reusing two nuts and bolts removed in steps one and three nuts and bolts supplied in kit.
5. Repeat this process on both ends of each tray on the back side of each box.



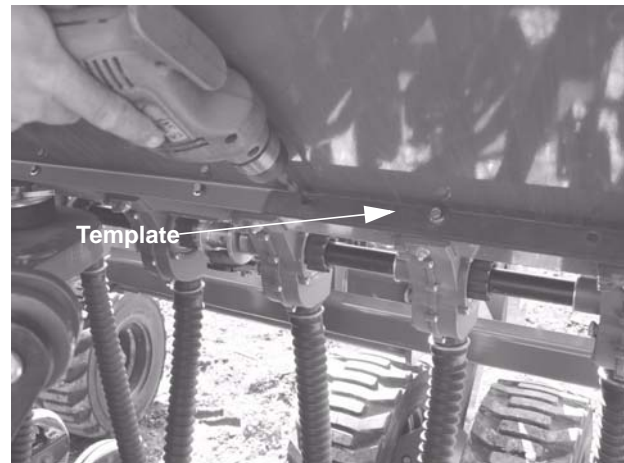
22533

Figure 1
Using template

2 | Box Support Update

Refer to Figure 2

6. Repeat steps one through three on the front side of box.
7. Remove template and install the two bolts used to hold the template, in the two inside holes, leaving three holes blank at the end of the tray.



22534

Figure 2
Using template on Front Side

Refer to Figure 3

8. Install the gusset using the 1/4" x 1" bolts and 1/4" flange nuts on the bottom side of the tray flange and tighten. Using a transfer punch or center punch, mark the 9/16" hole locations in the end panel.



22535

Figure 3
Using Transfer Punch

Refer to Figure 4

9. Remove a gusset and drill a pilot hole through the end panel.



22536

Figure 4
Drilling Pilot Hole

Refer to Figure 5

10. Drill a 9/16" hole from the outside of the end panel.

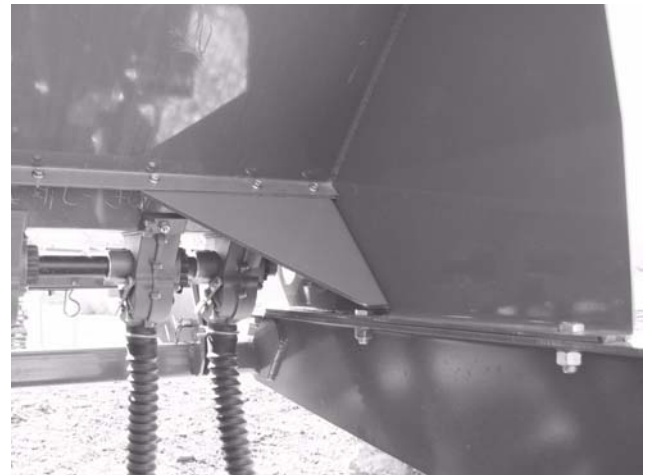


22537

Figure 5
Drilling 9/16" Hole

Refer to Figure 6

11. Reinstall the gusset using the 1/4" x 1" bolts and 1/4" flange nuts and 1/2" x 1 1/4" bolts, 1/2" lock washers and 1/2" nuts. Repeat this process on each end of the trays.

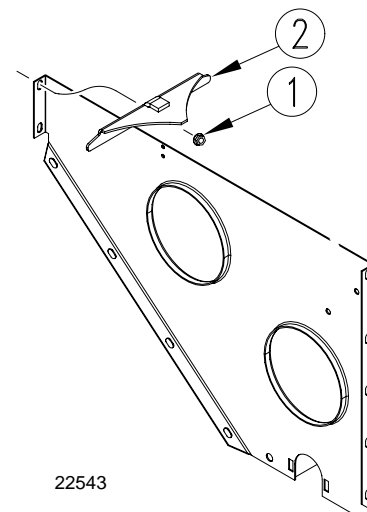


22538

Figure 6
Gusset

Refer to Figure 7

12. Remove the box partition top nut (1) on front side of box and install the partition upper pad (2). Reinstall the nut leaving loose. Level the pad and tighten the nut.



22543

Figure 7
Partition Upper Pad

197-006A 3N-40 BOX SUPPORT UPDATE KIT

Qty.	Part No.	Part Description
6	118-052H	BOX PARTITION UPPER PAD
1	197-008M	3N-40 BOX UPDATE MANUAL
3	197-197D	3N-40F BOX GUSSET LH
3	197-288D	3N-40F BOX GUSSET RH
1	197-296D	HOLE TEMPLATE
12	802-083C	HFSS 1/2-13X1 1/4 GR8
18	802-196C	HFSS 1/4-20X5/8 GR5
18	802-375C	HFSS 1/4-20X1 GR5
12	803-020C	NUT HEX 1/2-13 PLT
36	803-088C	NUT HEX LOCK 1/4-20 FLG
12	804-015C	WASHER LOCK SPRING 1/2 PLT

197-007A 3N-40P BOX SUPPORT UPDATE KIT

Qty.	Part No.	Part Description
6	118-052H	BOX PARTITION UPPER PAD
1	197-008M	3N-40 BOX UPDATE MANUAL
3	197-290D	3N-40P BOX GUSSET RH
3	197-289D	3N-40P BOX GUSSET LH
1	197-296D	HOLE TEMPLATE
12	802-083C	HFSS 1/2-13X1 1/4 GR8
18	802-196C	HFSS 1/4-20X5/8 GR5
18	802-375C	HFSS 1/4-20X1 GR5
12	803-020C	NUT HEX 1/2-13 PLT
36	803-088C	NUT HEX LOCK 1/4-20 FLG
12	804-015C	WASHER LOCK SPRING 1/2 PLT