

Predelivery Instructions

SR5030

Split-Row Planter

Great Plains

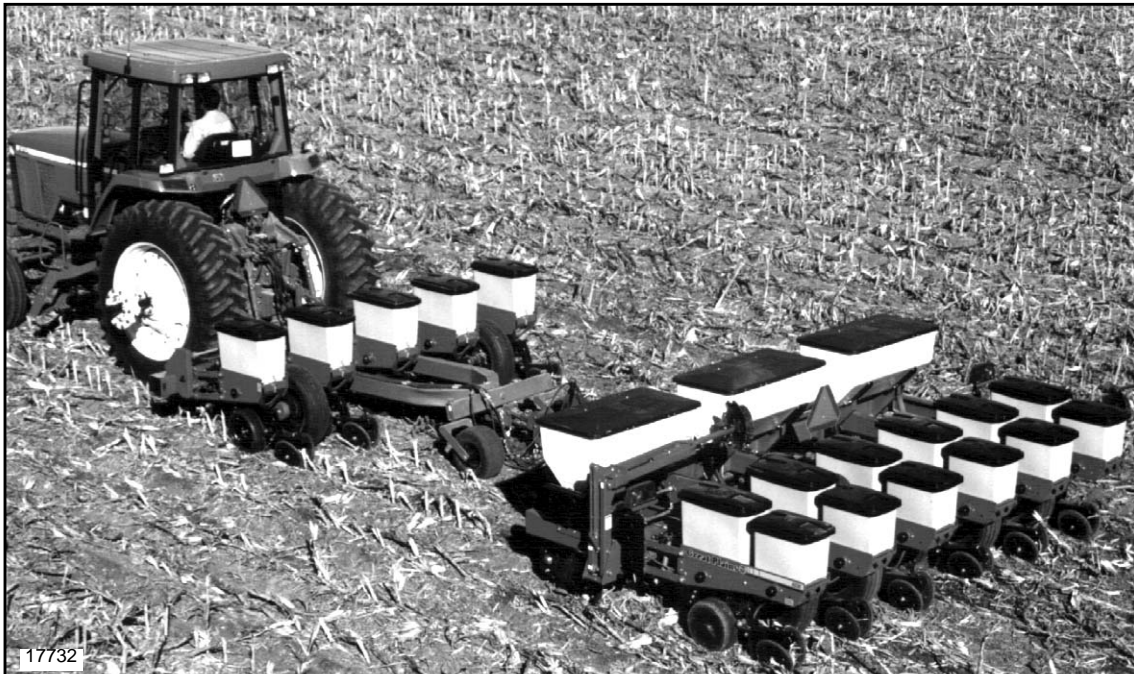
Manufacturing, Inc.

P.O. Box 5060 • Salina, Kansas 67402-5060



Read this manual entirely. When you see this symbol, the subsequent instructions and warnings are serious - follow without exception. Your life and the lives of others depend on it!

Great Plains



Cover illustration may show optional equipment not supplied with standard unit.

Table of Contents

Table of Contents

- Important Safety Information 1**
 - Safety Notations 1
 - Safety Rules 1
- Introduction 2**
 - Description of Unit 2
 - Intended Usage. 2
 - Using This Manual. 2
 - Definitions 2
 - Assembly and Setup Assistance 2
- Section 1 Assembly 3**
 - Tools Required. 3
 - Pre-Assembly Checklist. 3
 - Planter Assembly. 3
 - Row Unit Assembly 4
- Appendix. 5**
 - Tire Inflation Chart. 5
 - Torque Values Chart for Common Bolt Sizes . . . 5

© Copyright 1999 All rights Reserved

Great Plains Manufacturing, Inc. provides this publication "as is" without warranty of any kind, either expressed or implied. While every precaution has been taken in the preparation of this manual, Great Plains Manufacturing, Inc. assumes no responsibility for errors or omissions. Neither is any liability assumed for damages resulting from the use of the information contained herein. Great Plains Manufacturing, Inc. reserves the right to revise and improve its products as it sees fit. This publication describes the state of this product at the time of its publication, and may not reflect the product in the future.

Great Plains Manufacturing, Incorporated Trademarks
The following are trademarks of Great Plains Mfg., Inc.: Application Systems, Ausherman, Land Pride, Great Plains
All other brands and product names are trademarks or registered trademarks of their respective holders.

Printed in the United States of America.

Important Safety Information

For your safety, thoroughly read “**Important Safety Information**” and “**Operating Instructions**” in the operator’s manual before proceeding.

Safety Notations

The SAFETY ALERT SYMBOL indicates that there is a potential hazard to personal safety involved and extra safety precautions must be taken. When you see this symbol, be alert and carefully read the message that follows it. In addition to design and configuration of equipment, hazard control and accident prevention are dependent upon the awareness, concern, prudence and proper training of personnel involved in the operation, transport, maintenance and storage of equipment.

Watch for the following safety notations throughout this manual.

DANGER!

Indicates an imminently hazardous situation which, if not avoided, **will** result in death or serious injury. This signal word is limited to the most extreme situations.

WARNING!

Indicates a potentially hazardous situation which, if not avoided, **could** result in death or serious injury.

CAUTION!

Indicates a potentially hazardous situation which, if not avoided, **may** result in minor or moderate injury. It may also be used to alert against unsafe practices.

Safety Rules

Most accidents are the result of negligence, carelessness or failure to follow safety precautions. Though your implement is designed with many built-in safety features, safety precautions are mandatory to prevent accidents.

Introduction

Great Plains Manufacturing wants you to be satisfied with any new machine delivered by the Great Plains Trucking network. To ease the assembly task and produce a properly working machine, read this entire manual before assembling or setting up new equipment.

Description of Unit

The SR5030 is a three-point-mounted planting implement. The SR5030 has five row units spaced 30 inches apart. The SR5030 is designed to pull a six-row, pull-type planter, splitting row width in half and planting 11 rows a pass.

Intended Usage

Use this unit with a six-row, pull-type planter to plant production-agriculture crops. Do not modify the planter for use with attachments other than those specified by Great Plains.

Using This Manual

This manual was written to help you assemble and prepare the new machine for the customer. The manual includes instructions for assembly and setup. Read this manual and follow the recommendations for safe, efficient and proper assembly and setup.

An operator's manual is also provided with the new machine. Read and understand "**Important Safety Information**" and "**Operating Instructions**" in the operator's manual before assembling the machine. As a reference, keep the operator's manual on hand while assembling.

The information in this manual is current at printing. Some parts may change to assure top performance.

Definitions

The following terms are used throughout this manual.

Right and left as used in this manual are determined by facing the direction the machine will travel while in use unless otherwise stated.

IMPORTANT: A crucial point of information about the preceding topic. For safe and correct operation, read and follow the directions provided before continuing.

NOTE: Useful information about the preceding topic.

Assembly and Setup Assistance

To order additional copies of predelivery instructions or operator's and parts manuals, write to the following address. Include model numbers in all correspondence.

If you do not understand any part of this manual or have other assembly or setup questions, assistance is available. Contact

Product Support

Great Plains Mfg. Inc., Service Department
P.O. Box 5060
Salina, KS 67402-5060

Section 1 Assembly

The following headings are step-by-step instructions for assembling the split-row planter. Begin with *Tools Required* and *Pre-Assembly Checklist* to make sure you have all necessary parts and equipment. Follow each step to make the job as quick and safe as possible and produce a properly working machine.

The split-row planter is shipped via flat bed truck. It is the dealer's responsibility to unload the new machine. Unload all equipment before beginning assembly. Do not attempt any assembly work while the split-row planter is on the truck.

Tools Required

- Forklift or Hoist
- General Hand Tools

Pre-Assembly Checklist

1. Read and understand "Important Safety Information" on page 1 before assembling.
2. Have at least two people on hand while assembling.
3. Make sure the assembly area is level and free of obstructions (preferably an open concrete area).
4. Have all major components.
5. Have all fasteners and pins shipped with the planter.

IMPORTANT: If a pre-assembled part or fastener is temporarily removed, remember where it goes. Keep the parts separated.

6. Have a copy of the parts manual on hand. If unsure of proper placement or use of any part or fastener, refer to the parts manual.
7. Check that all working parts are moving freely, bolts are tight, and cotter pins are spread.
8. Check for proper tension and alignment on all drive chains.
9. Check that all safety labels and reflectors are correctly located and legible. Replace if improperly located or damaged. Refer to *Safety Labels*, "Important Safety Information" in the operator's manual.
10. Inflate tires to recommended pressure as listed on the *Tire Inflation Chart* on the "Appendix" on page 5. Tighten wheel bolts as specified on *Torque Values Chart* on the "Appendix" on page 5.

Planter Assembly



WARNING!

Crushing hazard. The hitch could fall on you during planter assembly, causing severe injury. Make certain the hitch is attached securely to a mechanical hoist.

Refer to Figure 1.

To assemble planter, remove pivot pins (1) from hitch mounts (2). Using mechanical assistance, position hitch arms (3) in hitch mounts. Secure hitch arms to hitch mounts with pivot pins. Secure each pivot pin with snap ring.

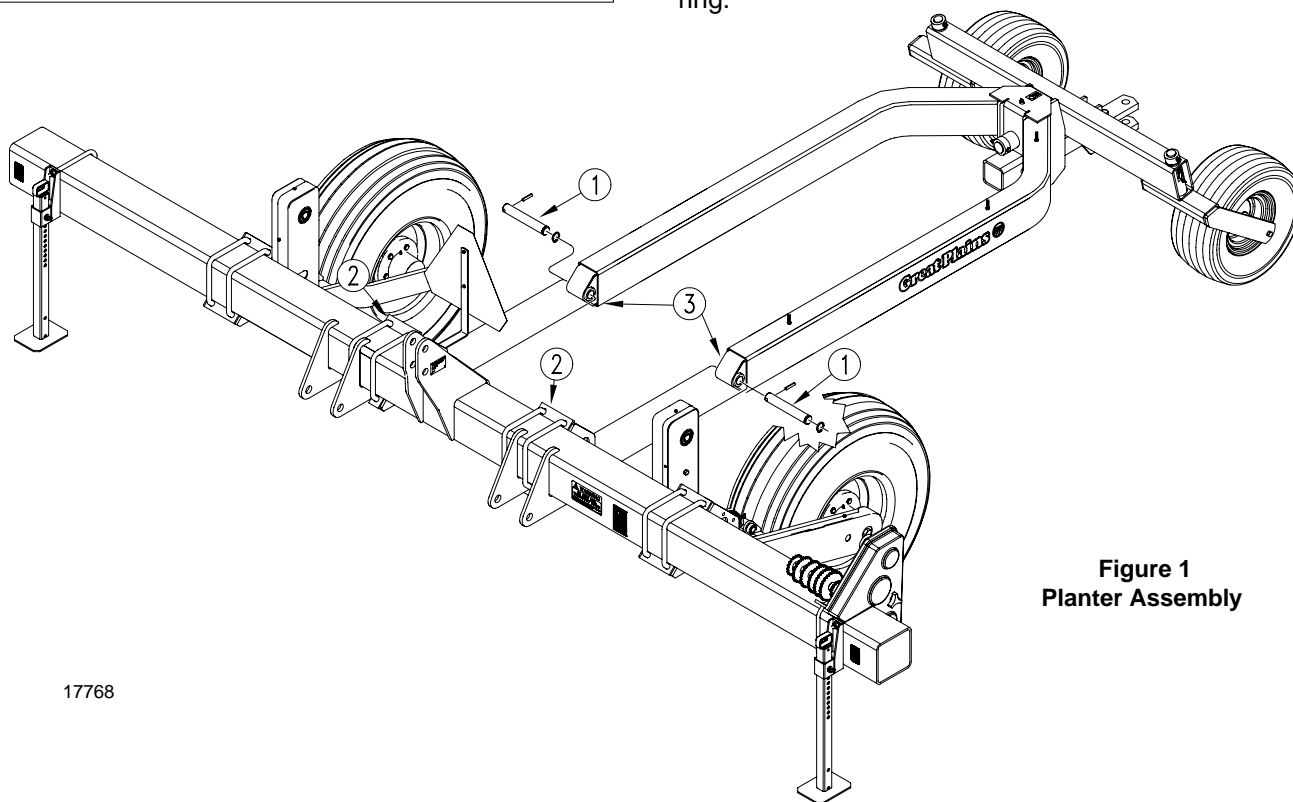


Figure 1
Planter Assembly

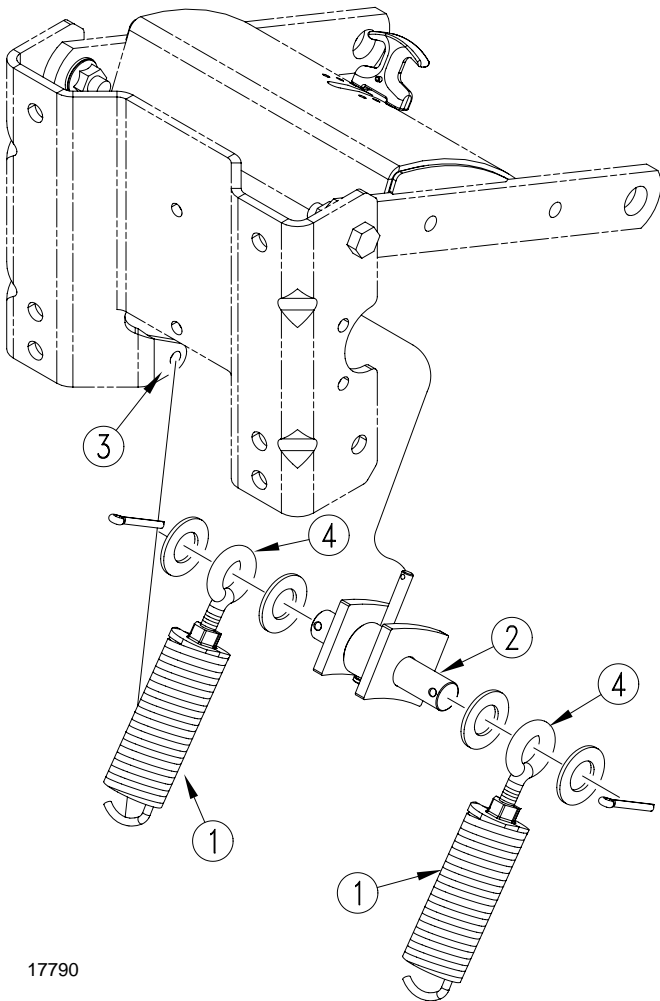
17768

Section 1 Assembly

Row Unit Assembly

Refer to Figure 2.

1. Disassemble row-unit springs (1) from mounting shaft (2) by removing cotter pins and washers.
2. Hook springs into row-unit mount (3).
3. Turn eye-bolts (4) so they are just below the mounting shaft (2), then turn eye-bolts back just enough so you can assemble eye-bolts on mounting shaft (2).
4. Secure springs to mounting shaft using washers and cotter pins.



17790

Figure 2
Row Unit Assembly

Great Plains Manufacturing, Inc.
Corporate Office: PO. Box 5060
Salina, Kansas 67402-5060 USA
