

Installation Instructions



20P, 24P, 25P 3-Point Precision Drills
20F and 24F 3-Point Drills

Weight Bracket Kit

Used with:

- 20P 3-Point Precision Seeding System
- 24P 3-Point Precision Seeding System
- 25P 3-Point Precision Seeding System
- 20F 3-Point Drill
- 24F 3-Point Drill



When you see this symbol, the subsequent instructions and warnings are serious - follow without exception. Your life and the lives of others depend on it!

General Information

These instructions explain how to install the Weight Bracket Kit. This optional kit is used to add weight to the drill frame. These instructions apply to:

118-071A	20P/24P/25P Weight Bracket Kit
118-072A	20F and 24F Weight Bracket Kit

Before You Start

Page 5 is a detailed listing of parts included in the Weight Bracket Kit. Use this list to inventory parts received.

Tools Required

- Basic Hand Tools

Assembly Instructions for 118-071A

Refer to Figure 1

1. Attach weight bracket adjustment leg (2) to weight bracket weldment (1).
2. Secure adjustment leg (2) to weldment (1) using two 5/8-11 x 2 1/4 bolts (3), 5/8 flat washers (4), 5/8 lock washers (5), and 5/8-11 hex nuts (6). Leave bolts loosened for adjustment.
3. Complete steps one and two for both weight brackets.

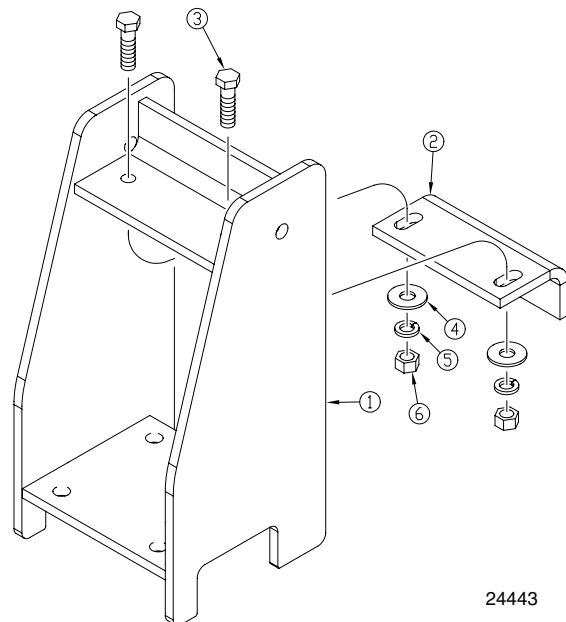


Figure 1
Weight Bracket and Adjustment Leg

2 | Weight Bracket Kit

Refer to Table 1

IMPORTANT! The chart to the right gives the recommended placement for LH and RH weight brackets. However, weight brackets may be placed anywhere along frame provided there are no clearance issues.

Drill Model	Distance From End of Drill Frame
20P	50 inches
24P	74 inches
25P	43 5/8 inches

Table 1

- For both LH and RH brackets, measure the distance given in the chart for the appropriate drill model. **NOTE: Measure distance from each end of drill frame towards center of drill.**

Refer to Figure 2

- Place weight bracket on drill frame.

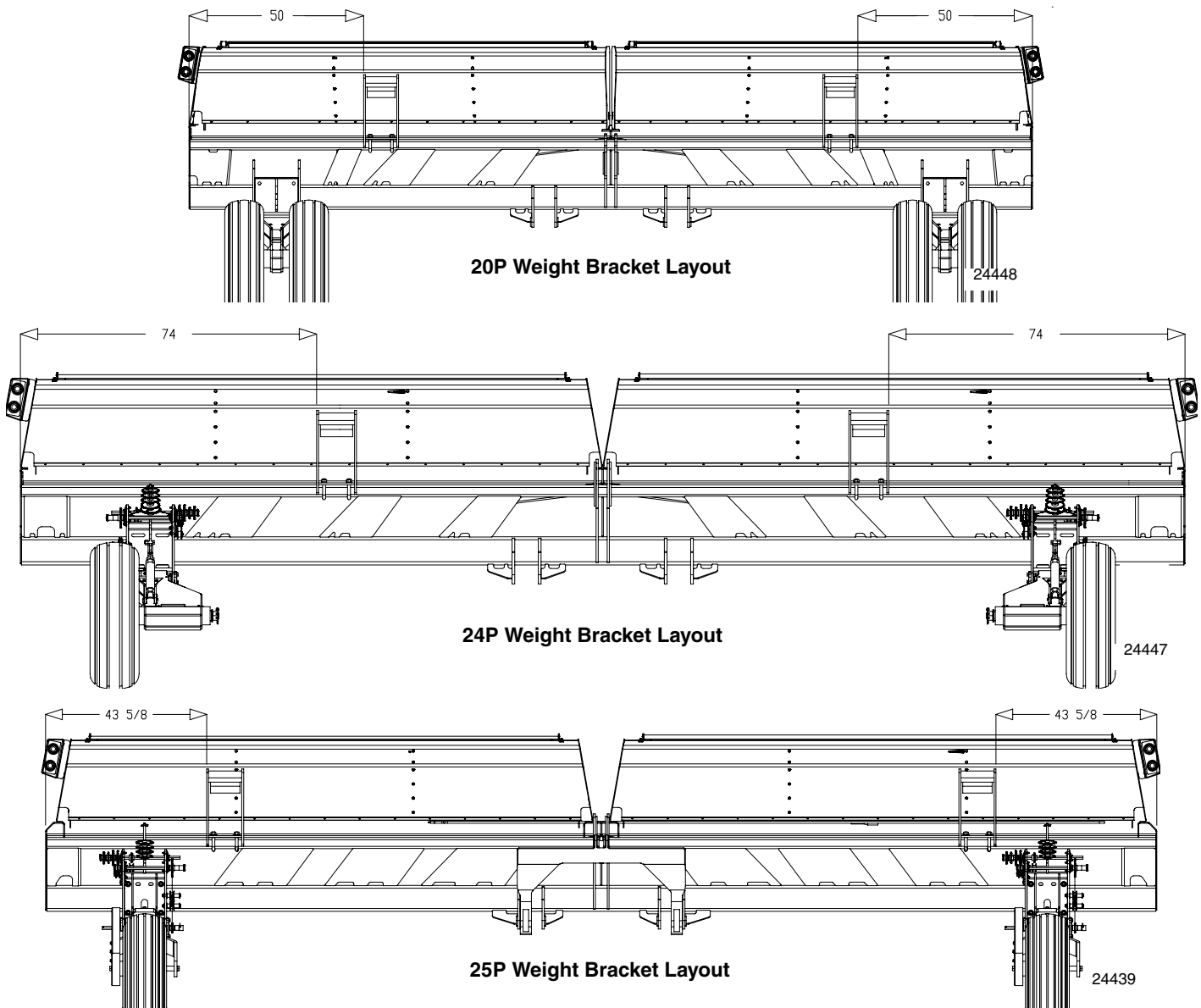


Figure 2
Weight Bracket Placement

Refer to Figure 3

6. Secure weight bracket (1) to frame (3) using two 3/4-10 x 5 1/32 x 4 u-bolts (2), 3/4 lock washers (5), and 3/4-10 hex nuts (4).
7. Position adjustment leg (6) against weight edge for additional support. Tighten bolts securing adjustment leg to weight bracket.
8. Complete steps 5 through 8 for both weight brackets.

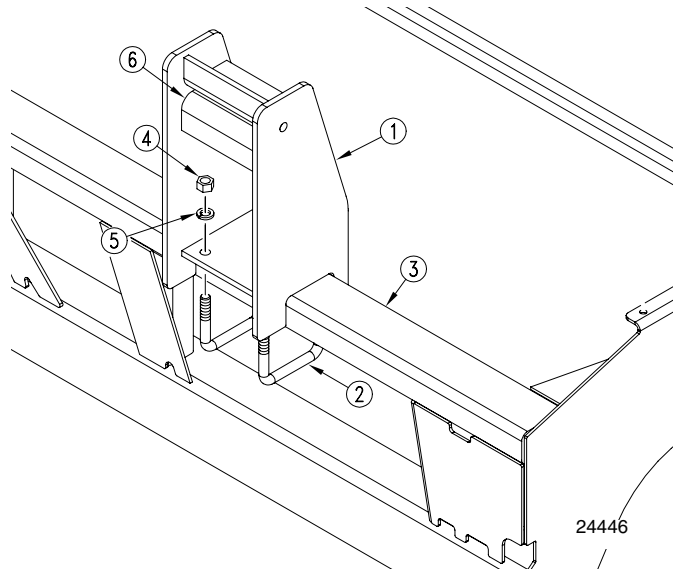


Figure 3
Secure Weight Bracket to Frame

Assembly Instructions for 118-072A

NOTE: The 20F and 24F Weight Bracket Kit comes with specific LH and RH weight brackets.

Refer to Figure 1

1. Attach weight bracket adjustment leg (2) to both LH and RH weight bracket weldments (1).
2. Secure adjustment leg (2) to weldment (1) using two 5/8-11 x 2 1/4 bolts (3), 5/8 flat washers (4), 5/8 lock washers (5), and 5/8-11 hex nuts (6). Leave bolts loosened for adjustment.

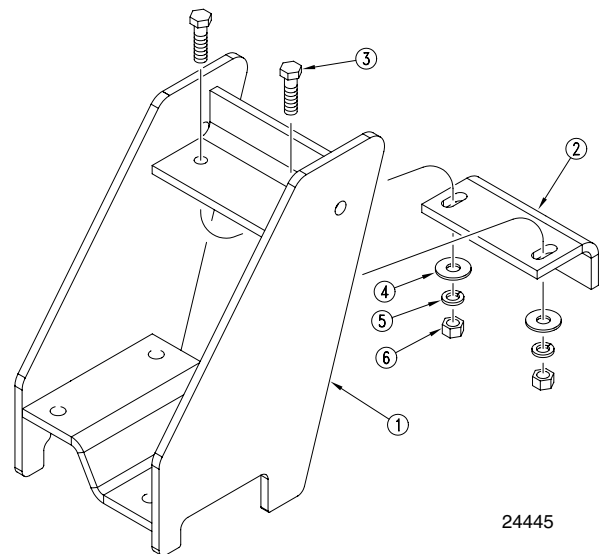


Figure 1
Weight Bracket and Adjustment Leg

Refer to Table 1

IMPORTANT! The chart to the right gives the recommended placement for LH and RH weight brackets. However, weight brackets may be placed anywhere along frame provided there are no clearance issues.

3. For both LH and RH weight brackets, measure the distance given in the chart for the appropriate drill model. **NOTE: Measure distance from each end of drill frame towards center of drill.**

Drill Model	Distance From End of Drill Frame
20F	55 1/2 inches
24F	50 1/2 inches

Table 1

4 | Weight Bracket Kit

Refer to Figure 2

4. Determine which weight bracket is LH bracket and which is RH bracket. **NOTE: There is a cut-out notch on one side of each bracket. The notched side goes toward center of drill to allow clearance for frame brace.**
5. Place LH bracket on LH-side drill frame.
Place RH bracket on RH-side drill frame.

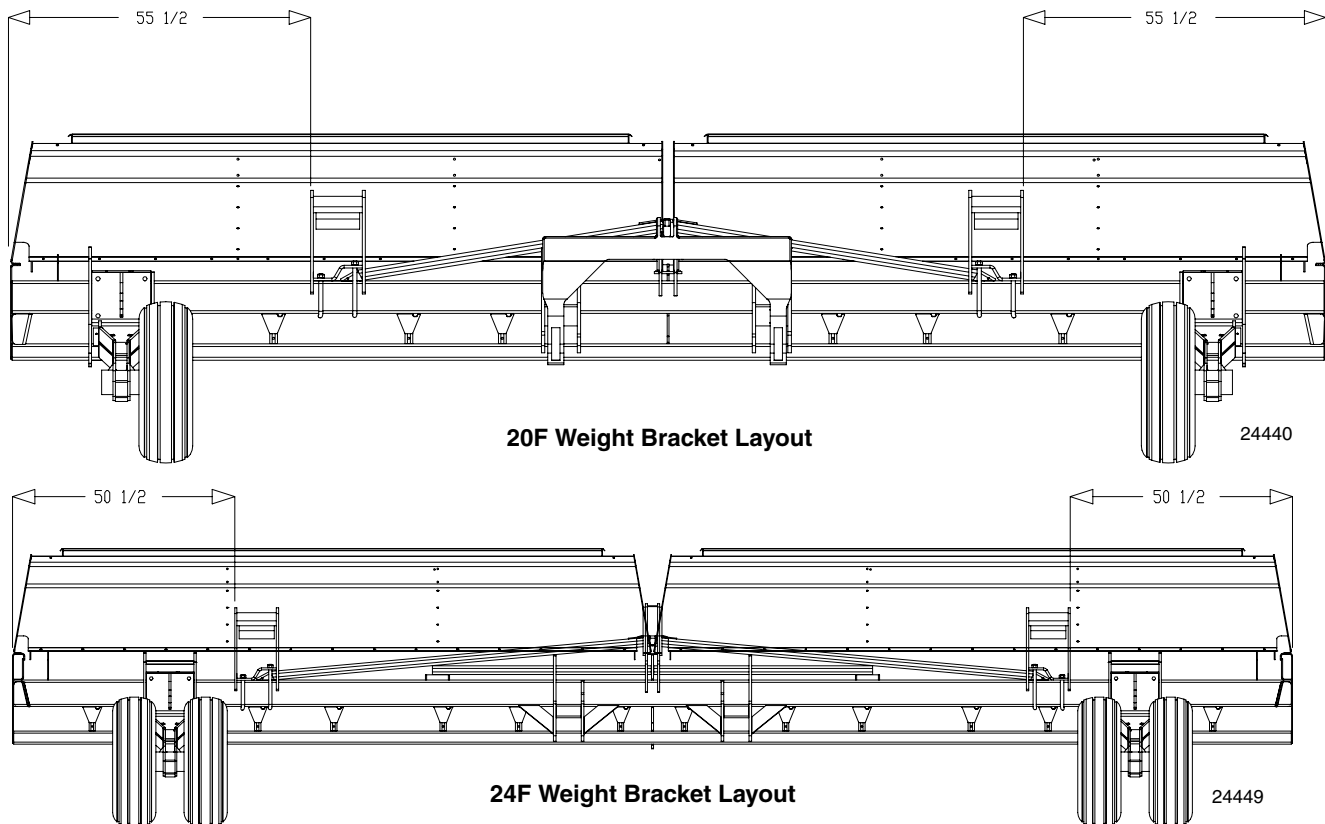


Figure 2
Weight Bracket Placement

Refer to Figure 3

6. Secure weight bracket (1) to frame (2) using u-bolts (3 and 4), 3/4 lock washers (6), and 3/4-10 hex nuts (5).

NOTE: Use longer u-bolt (3) to secure frame (2) to raised portion of bottom of weight bracket (1).

7. Position adjustment leg (7) against weight edge for additional support. Tighten bolts securing adjustment leg to bracket.
8. Complete steps 5 through 8 for both weight brackets.

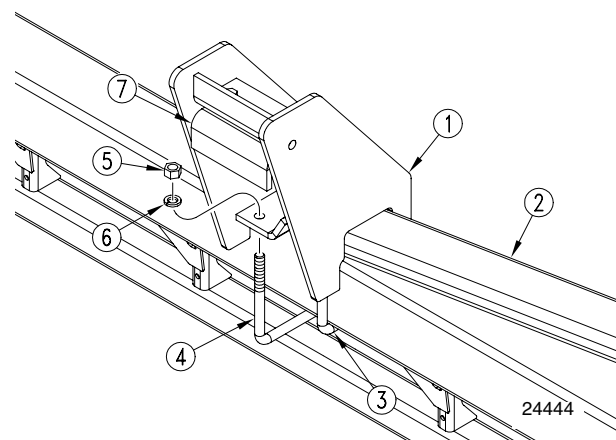


Figure 3
Secure Weight Bracket to Frame

118-071A 20P/24P/25P Weight Bracket Kit

Your kit includes:

Qty.	Part No.	Part Description
2	118-068H	WEIGHT BRACKET WELDMENT
2	197-062D	WEIGHT BRACKET ADJ LEG
4	802-057C	HHCS 5/8-11 X 2 1/4 GR5
4	803-021C	NUT HEX 5/8-11 PLT
8	803-027C	NUT HEX 3/4-10 PLT
4	804-019C	WASHER FLAT 5/8 USS PLT
4	804-022C	WASHER LOCK SPRING 5/8 PLT
8	804-023C	WASHER LOCK SPRING 3/4 PLT
4	806-203C	U-BOLT 3/4-10 X 5 1/32 X 4
1	118-073M	MANUAL WEIGHT BRACKET

118-072A 20F and 24F Weight Bracket Kit

Your kit includes:

Qty.	Part No.	Part Description
1	118-069H	WEIGHT BRACKET WELDMENT-LH
1	118-070H	WEIGHT BRACKET WELDMENT-RH
2	197-062D	WEIGHT BRACKET ADJ LEG
4	802-057C	HHCS 5/8-11 X 2 1/4 GR5
4	803-021C	NUT HEX 5/8-11 PLT
8	803-027C	NUT HEX 3/4-10 PLT
4	804-019C	WASHER FLAT 5/8 USS PLT
4	804-022C	WASHER LOCK SPRING 5/8 PLT
8	804-023C	WASHER LOCK SPRING 3/4 PLT
2	806-089C	U-BOLT 3/4-10 X 6 1/16 X 9
2	806-093C	U-BOLT 3/4-10 X 6 1/32 X 7 3/4
1	118-073M	MANUAL WEIGHT BRACKET