



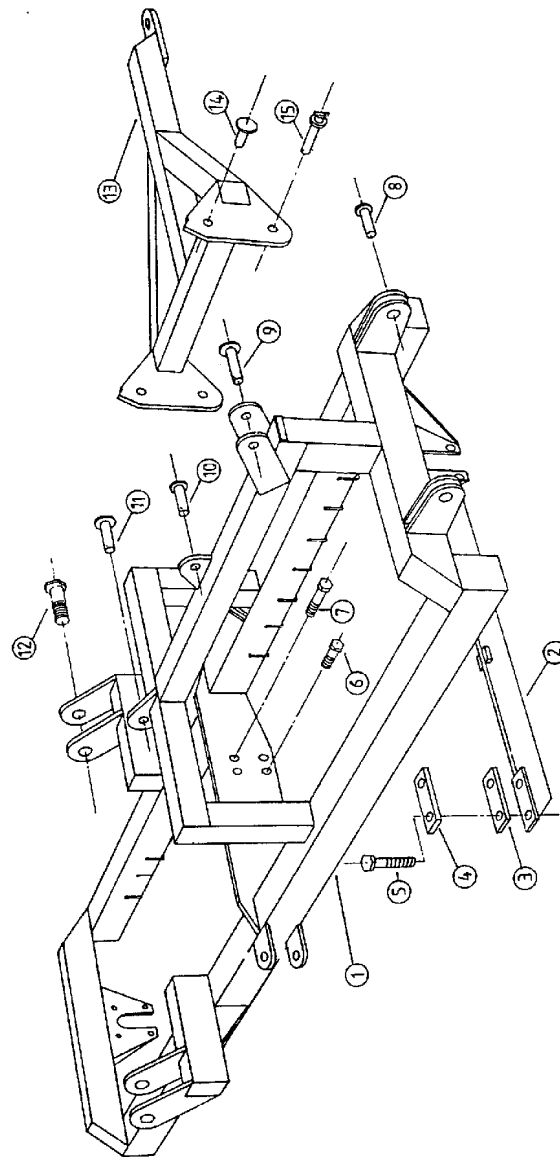
HEAVY DUTY LAND PACKER

PARTS BOOK



HEAVY DUTY LAND PACKER

TWIN AXLE TYPE MAINFRAME ASSEMBLY



HEAVY DUTY LANDPACKER
TWIN AXLE TYPE MAINFRAME

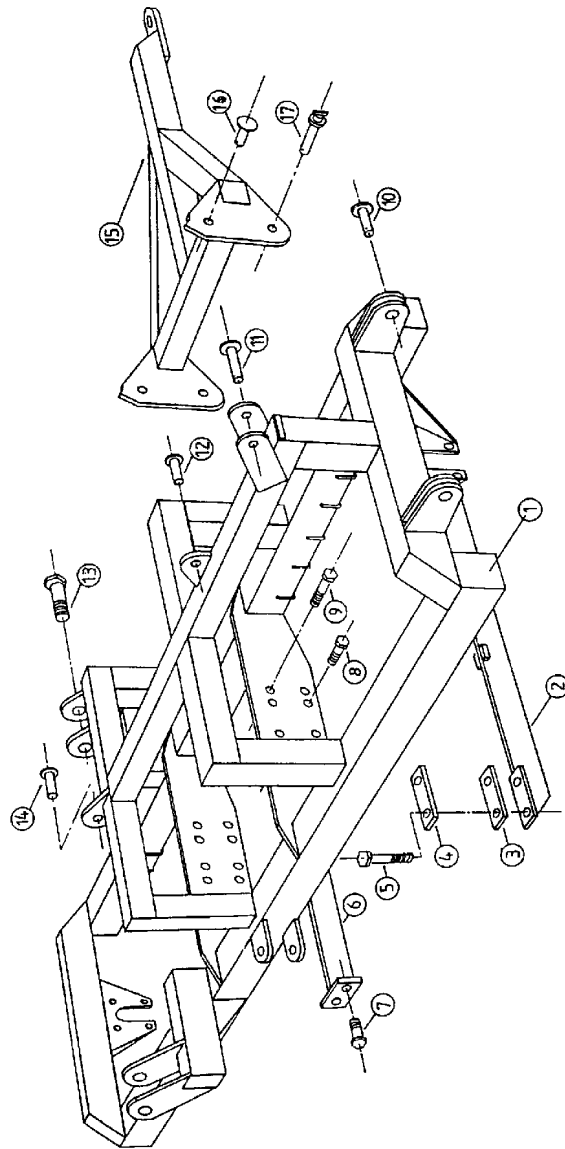
Fig 1 Twin axle type mainframe assembly

ITEM NO	PT NO	DESCRIPTION
1	----	Twin axle type mainframe
2	3522	Axle support
3	3524	Plate, Spacer
4	3525	Plate, Retaining
5	2655	Bolt, mounting M20 (F/Washer 2603, Nut 2009)
6	2649	Bolt, bearing mounting M16 (F/Washer 2602, Nut 2008)
7	2510	Bolt, thrust plate mounting M16 (F/Washer 2602, Nut 2008)
8	0030	Bolt, end drawbar mounting M30 (F/Washer 2608, Nut 2011)
9	1134	Pin, Toplink
10	1274	Pin, Ram (optional hydraulic drawbar kit)
11	1274	Pin, Axle ram
12	0037	Bolt, transport axle pivot M30 (F/Washer 2608, Nut 2011)
13	3518	Drawbar, Work
14	0030	Bolt, drawbar mounting M30 (F/Washer 2608, Nut 2011)
15	3528	Drawbar locking pin

OVERALL AXLE LENGTHS

NUMBER OF RINGS	AXLE LENGTH	PT NO
9 - 9 (18)	1829	3512
10 - 10 (20)	2009	3513
11 - 11 (22)	2189	3514
12 - 12 (24)	2369	3596
13 - 13 (26)	2549	3579

HEAVY DUTY LAND PACKER



HEAVY DUTY LANDPACKER
TRIPLE AXLE TYPE MAINFRAME

Fig 2 Triple axle type mainframe assembly

SIM19002

HEAVY DUTY LAND PACKER

TRIPLE AXLE TYPE MAINFRAME ASSEMBLY

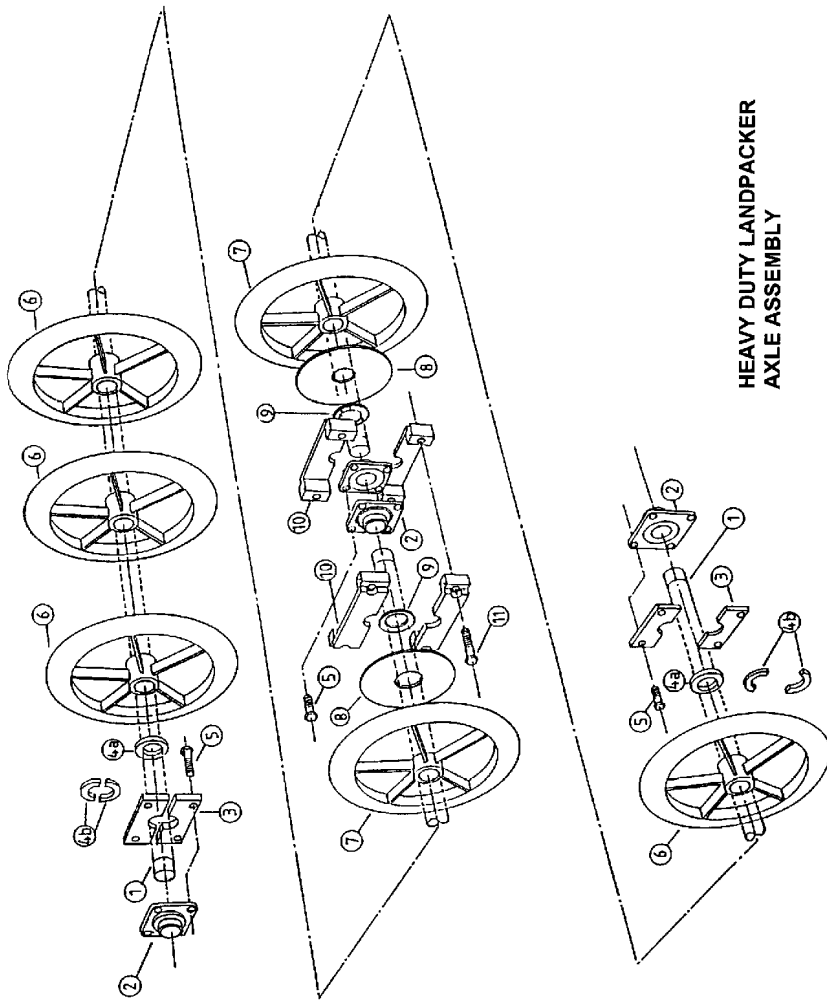
ITEM NO	PT NO	DESCRIPTION
1	----	Triple axle type mainframe
2	3522	Axle support
3	3524	Plate, Spacer
4	3525	Plate, Retaining
5	2655	Bolt, mounting M20 (F/Washer 2603, Nut 2009)
6	3639	Centre axle centre support
7	0941	Bolt, mounting M30 (F/Washer 2608, Nut 2011)
8	2649	Bolt, bearing mounting M16 (F/Washer 2602, Nut 2008)
9	2510	Bolt, thrust plate mounting M16 (F/Washer 2602, Nut 2008)
10	0030	Bolt, end drawbar mounting M30 (F/Washer 2608, Nut 2011)
11	1134	Pin, Toplink
	4168	Toplink converter bush CAT 3 - CAT 2
12	1274	Pin, Ram (optional hydraulic drawbar kit)
13	0037	Bolt, transport axle pivot M30 (F/Washer 2608, Nut 2011)
14	1274	Pin, Axle ram
15	3518	Drawbar, Work
16	0030	Bolt, drawbar mounting M30 (F/Washer 2608, Nut 2011)
17	3528	Drawbar locking pin

OVERALL AXLE LENGTHS

NUMBER OF RINGS	OUTER AXLE LENGTH	PT NO	CENTRE AXLE LENGTH	PT NO
9 - 9 - 8 (25)	1649	3511	1740	3870
9 - 9 - 9 (27)	1829	3512	1740	3870
6 - 10 - 6(22)	1289	3913	1920	3638
8 - 10 - 8 (26)	1649	3511	1920	3638
10 - 10 - 10 (30)	2009	3513	1920	3638
11 - 10 - 11 (32)	2189	3514	1920	3638
12 - 10 - 12 (34)	2369	3596	1920	3638

WHEN ORDERING SPARE PARTS PLEASE STATE PART NUMBER,
MODEL AND SERIAL NUMBER OF MACHINE

HEAVY DUTY LAND PACKER



HEAVY DUTY LANDPACKER
AXLE ASSEMBLY

Fig 3 Main axle assembly

SIM16003

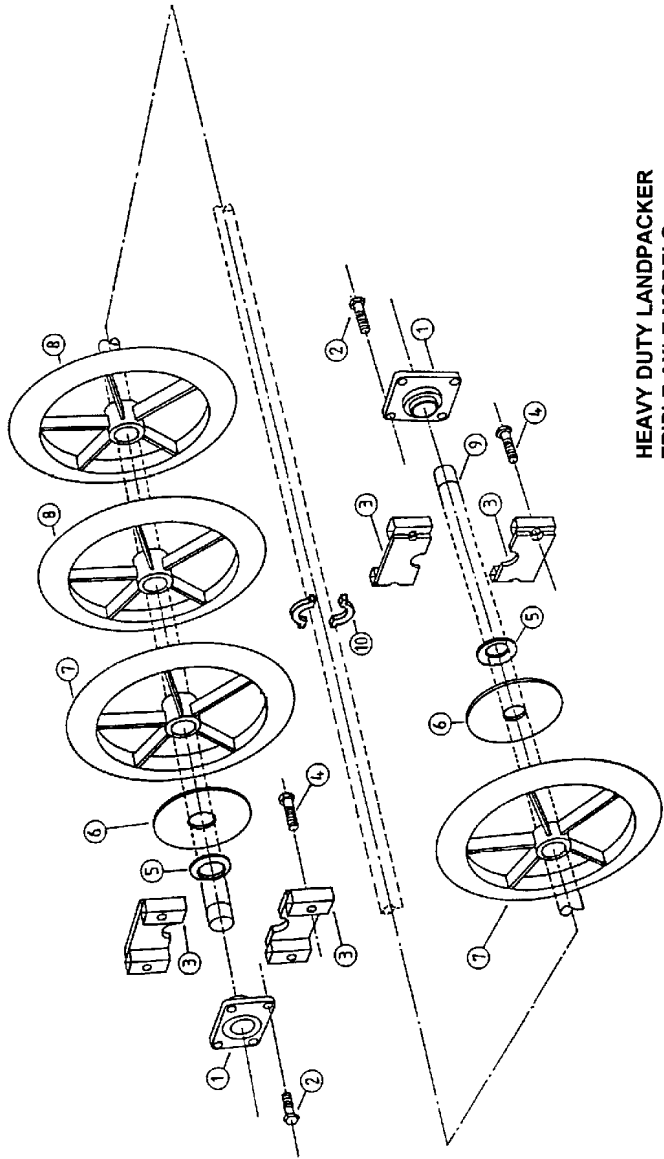
HEAVY DUTY LAND PACKER

MAIN AXLE ASSEMBLY

ITEM NO	PT NO	DESCRIPTION
1	----	Axle shaft (state number of rings)
2	1695	Bearing
3	3519	Plate, Outer axle thrust
4a	3520	Washer, Thrust
4b	4198	Replaceable bolt on thrust washer
5	2649	Bolt, bearing mounting M16 (F/Washer 2602, Nut 2008)
6	3588	Standard packer ring
7	3589	Short boss type packer ring
8	4156	Washer, 8mm thrust
9	4145	Washer, Belleville
10	3523	Plate, Inner bearing thrust
11	2510	Bolt, thrust plate mounting M16 (F/Washer 2602, Nut 2008)

WHEN ORDERING SPARE PARTS PLEASE STATE PART NUMBER,
MODEL AND SERIAL NUMBER OF MACHINE

HEAVY DUTY LAND PACKER



HEAVY DUTY LANDPACKER
TRIPLE AXLE MODELS
CENTRE AXLE ASSEMBLY

SIM19004

Fig 4 Centre axle assembly - triple axle models only

HEAVY DUTY LAND PACKER

CENTRE AXLE ASSEMBLY - TRIPLE AXLE MODELS ONLY

ITEM NO	PT NO	DESCRIPTION
1	1695	Bearing
2	2649	Bolt, bearing mounting M16 (F/Washer 2602, Nut 2008)
3	3523	Plate, inner bearing thrust
4	2510	Bolt, thrust plate mounting M16 (F/Washer 2602, Nut 2008)
5	4145	Washer, Belleville
6	4156	Washer, 8mm thrust
7	3589	Short boss type packer ring
8	3588	Standard packer ring
9	3638	Axle shaft (see page 5)
10	4198	Washer, Replaceable bolt-on thrust

WHEN ORDERING SPARE PARTS PLEASE STATE PART NUMBER,
MODEL AND SERIAL NUMBER OF MACHINE

HEAVY DUTY LAND PACKER

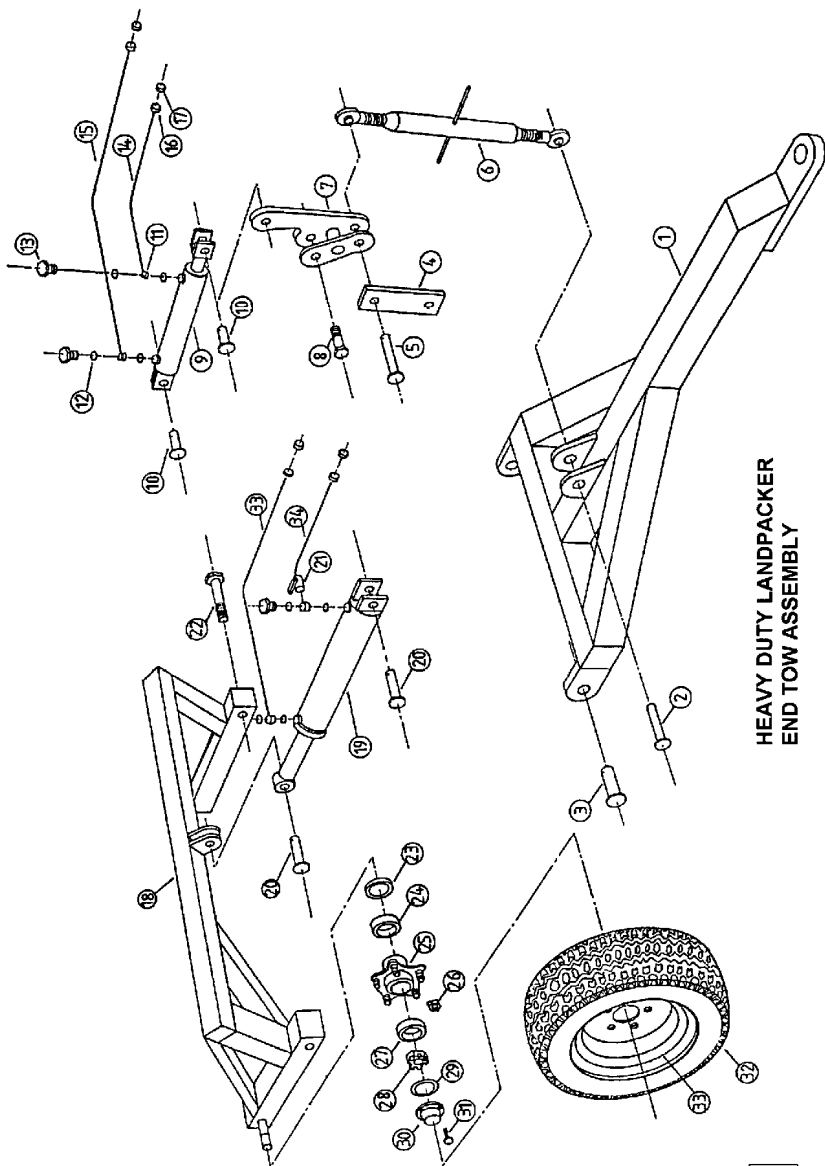


Fig 5 End tow assembly

SHM190005

HEAVY DUTY LAND PACKER

END TOW ASSEMBLY

† Not illustrated

ITEM NO	PT NO	DESCRIPTION
1	3517	Drawbar, End tow
2	1071	Pin, Toplink
3	0030	Bolt, pivot M30 (F/Washer 2608, Nut 2011)
4	3861	Plate, Locking
5	1134	Pin, Toplink
	† 4168	Toplink converter bush CAT 3 - CAT 2
6	0158	CAT 2 19" toplink
	† 0159	CAT 3 19" toplink
	3010	Toplink converter bush CAT 3 - CAT 2
	-----	Optional hydraulic end tow drawbar kit comprising:
7	3526	Bell crank
8	0789	Bolt, bell crank M24 (F/Washer 2604, Nut 2010)
9	1913	Cylinder, hydraulic 75 x 250
10	1274	Pin, 25 x 115 mm (lynch pin 2484)
11	0200	Banjo block
12	2263	Dowty seal
13	0201	Bolt, Banjo
	0724B	Bolt, Restricted banjo
14/15	-----	Hydraulic hose (state length required)
16	0203	Male - male adaptor
17	0205	Male quick release coupling
18	3516	Transport axle (twin axle model only)
	3641	Transport axle (triple axle model 5 or 6 stud)
19	2759	Cylinder, hydraulic 100 x 600 (seal kit 2760)
20	1274	Pin, 25 x 115 mm (lynch pin 2484)
21	0774	Hydraulic tap
22	0037	Bolt, pivot M30 (F/Washer 2608, Nut 2011)

5 STUD HUB MODELS

	0437	5 stud hub complete R/H comprising:
23	0439	Grease seal
24	0440	Inner bearing cup and cone
25	0438	Hub casting
26	0448	Nut, Wheel R/H
	0707	Wheel stud R/H
27	0440	Outer bearing cup and cone
28	0443	Nut, Castle (split pin 2488)
29	-----	N/A
30	0445	Hub cap
31	0446	Bolt, Cap retaining
32	1072	10.0/75 - 15, 10 ply tyre (tube 1074)
	0138	11.5/80 - 15, 10 ply tyre (tube 0139)
	0143	12.5/80 - 15, 10 ply tyre (tube 0144)
33	0140	5 hole rim to suit 10.0/75 - 15, 11.5/80 - 15 tyre
	0145	5 hole rim to suit 12.5/80 - 15 tyre

(continued)

WHEN ORDERING SPARE PARTS PLEASE STATE PART NUMBER,
MODEL AND SERIAL NUMBER OF MACHINE

HEAVY DUTY LAND PACKER

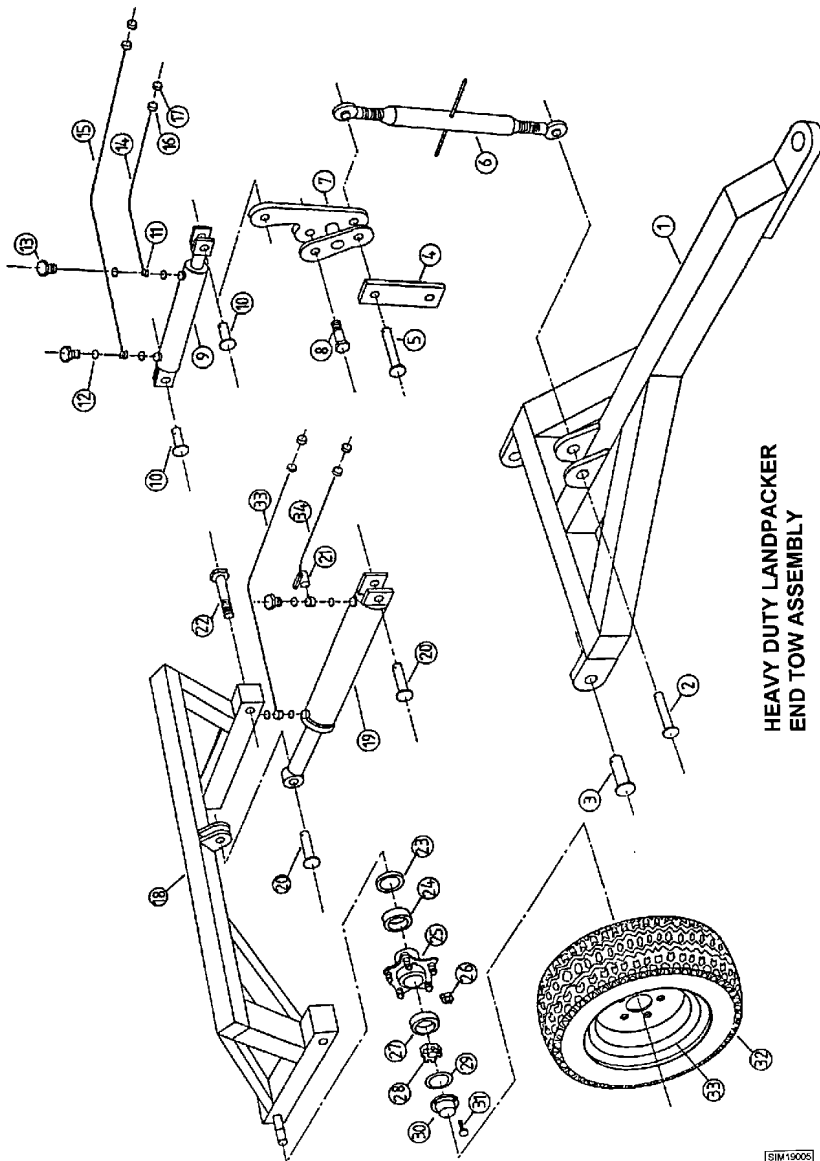


Fig 6 End tow assembly

HEAVY DUTY LAND PACKER

END TOW ASSEMBLY

ITEM NO	PT NO	DESCRIPTION
		6 STUD HUB MODELS
	0641	6 stud hub complete R/H comprising:
23	0365	Grease seal
24	0366	Inner bearing cup and cone
25	0462	Hub casting
	0709	Wheel stud R/H
26	0471	Nut, Wheel R/H
27	0367	Outer bearing cup and cone
28	0369	Nut, Castle (split pin 2488)
29	0739	Gasket
30	0370	Hub cap
31	0469	Bolt, Retaining
32	0143	12.5/80 - 15, 10 ply tyre (tube 0144)
33	0146	6 hole rim to suit 12.5/80 - 15 tyre

WHEN ORDERING SPARE PARTS PLEASE STATE PART NUMBER,
MODEL AND SERIAL NUMBER OF MACHINE