

Installation Instructions



20P 1x12 Press Wheel Arm Extension Kit

Used with:

- 20 Series Precision Opener with 1x12 Press Wheel



When you see this symbol, the subsequent instructions and warnings are serious - follow without exception. Your life and the lives of others depend on it!

General Information

These instructions explain how to install the Press Wheel Arm Extension Kit. These instructions apply to:

199-095K 20P 1x12 Press Wheel Arm Extension Kit

Before You Start

Page 3 is a detailed listing of parts included in the Press Wheel Arm Extension kit. Use this list to inventory parts received.

Tools Required

- Basic hand tools

Assembly Instructions

Refer to Figure 1

1. Remove 7/16-14 x 1 1/2" bolt (3) connecting press wheel mount (2) and opener (1). Separate the two and disconnect spring (4) from bottom of opener (5).

Important: Do not completely disconnect spring. Leave one end of the spring attached to the press wheel lever.

NOTE: Please note which hole spring was disconnected from. This information will be used when reconnecting spring.

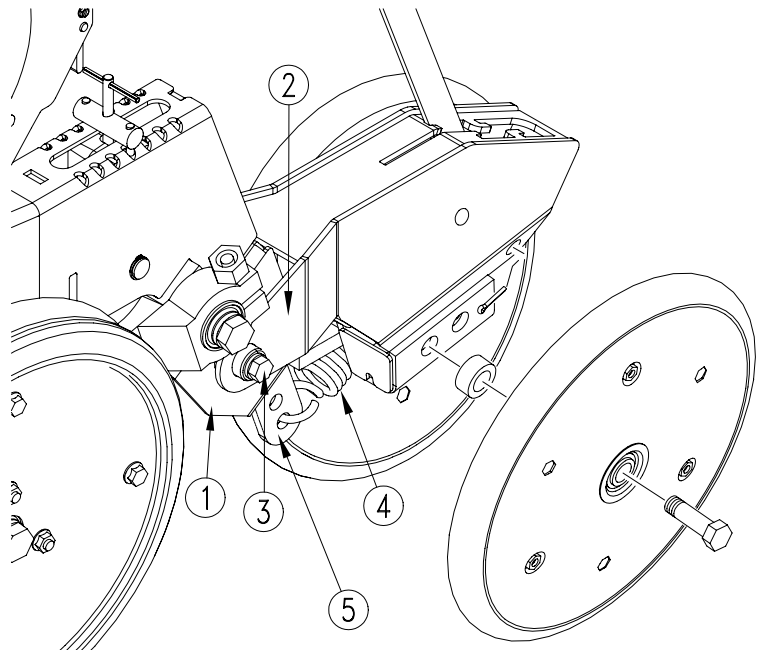


Figure 1
Remove Bolt and Disconnect Spring

23074

2 | 20P 1x12 Press Wheel Arm Extension Kit

Refer to Figure 2

2. Connect spring (4) to appropriate hole on back of press wheel arm extension weldment (5).

NOTE: If spring was disconnected from lower hole on bottom of opener, attach spring to lower hole on extension weldment. If spring was disconnected from upper hole on bottom of opener, attach spring to upper hole on extension weldment.

3. Align top of press wheel arm extension (1) with press wheel mount (2). Attach press wheel mount (2) to press wheel arm extension (1) with 7/16-14 x 5 1/2" bolt (3) and 7/16" hex lock nut.

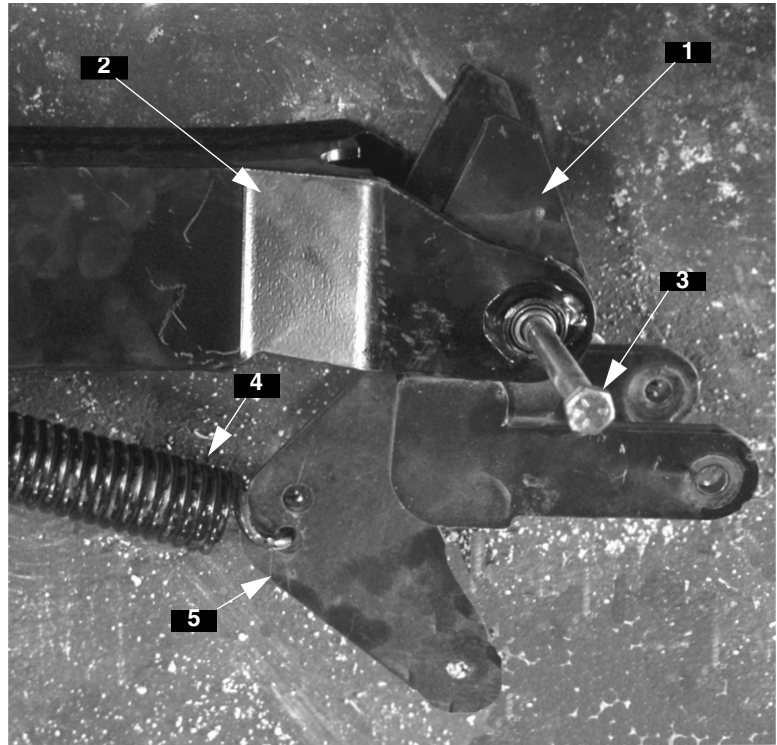


Figure 2

Connect Press Wheel Mount and Spring

23073

Refer to Figure 3

4. Using 7/16 x 1 1/4" bolt (5) and 7/16" hex lock nut, attach bottom of press wheel arm extension weldment (4) to hole on bottom of opener where spring was previously attached (6).
5. Place press wheel arm extension weldment (1) on end of opener (2). Attach using two 7/16 x 1 1/4" bolts (3) and two 7/16" hex lock nuts.
6. Tighten all bolts.

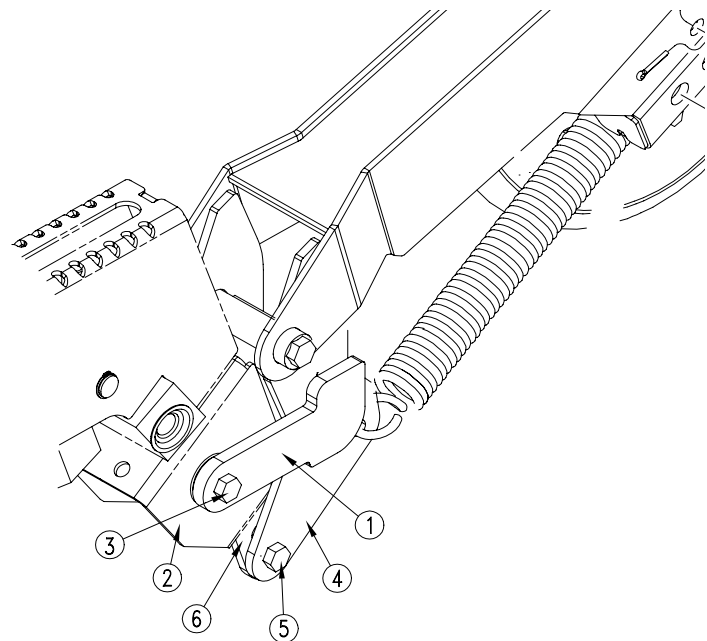


Figure 3

Attach Press Wheel Arm Extension and Opener

23072

199-095K Press Wheel Arm Extension Kit

Your kit includes:

Qty.	Part No.	Part Description
1	199-096M	MANUAL PRESS WHEEL ARM EXTENSION
1	199-097H	PRESS WHEEL MNT WLMT
1	802-789C	HHCS 7/16-14 x 5 1/2 GR 5
3	802-029C	HHCS 7/16-14 x 1 1/2 GR5
4	803-229C	7/16 NUT HEX LOCK FLG