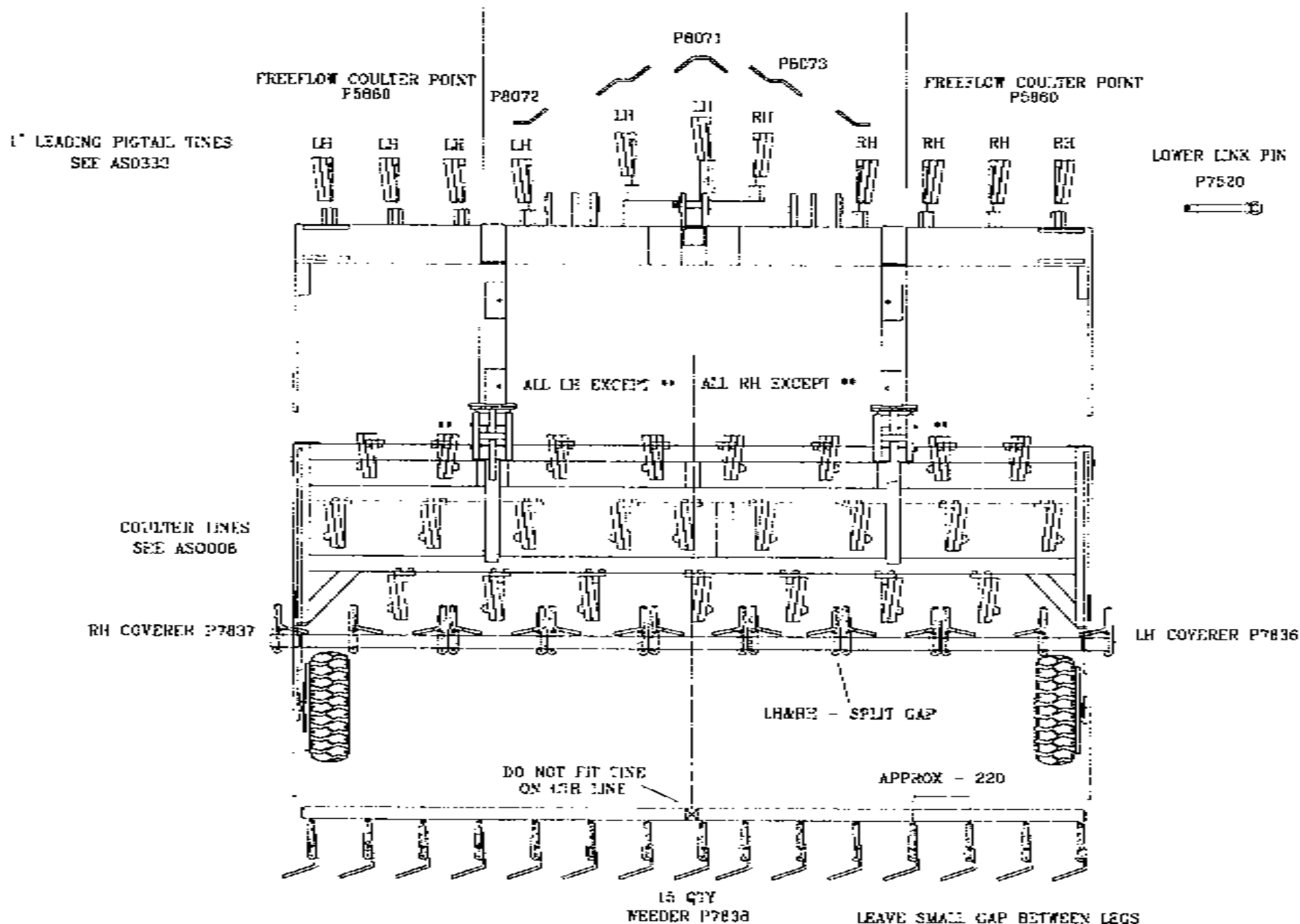


MINIFLOW

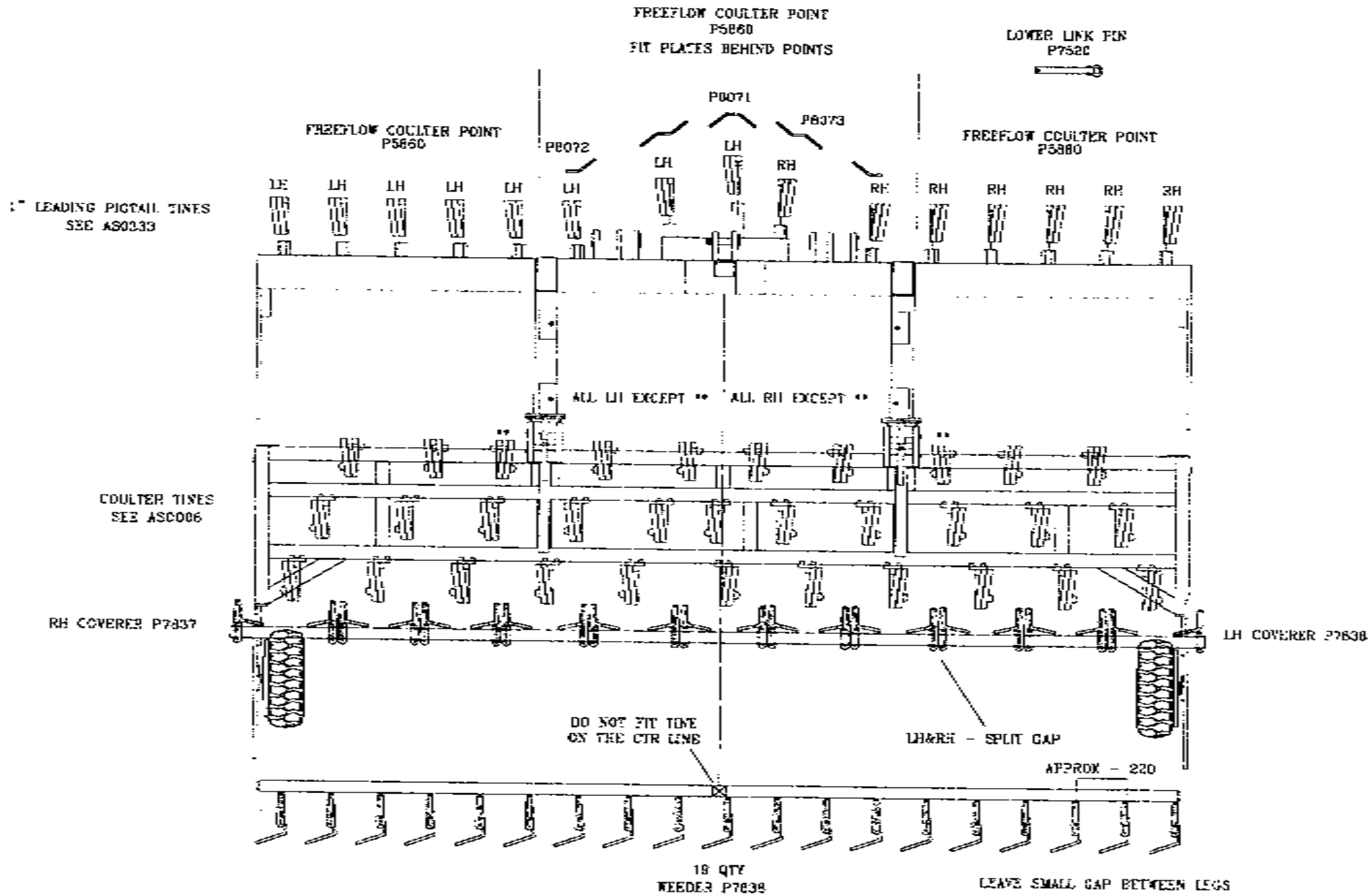
OPERATORS + SPARE PARTS MANUAL

FREEFLOW COULTER POINT
P5860
FIT PLATES BEHIND POINTS



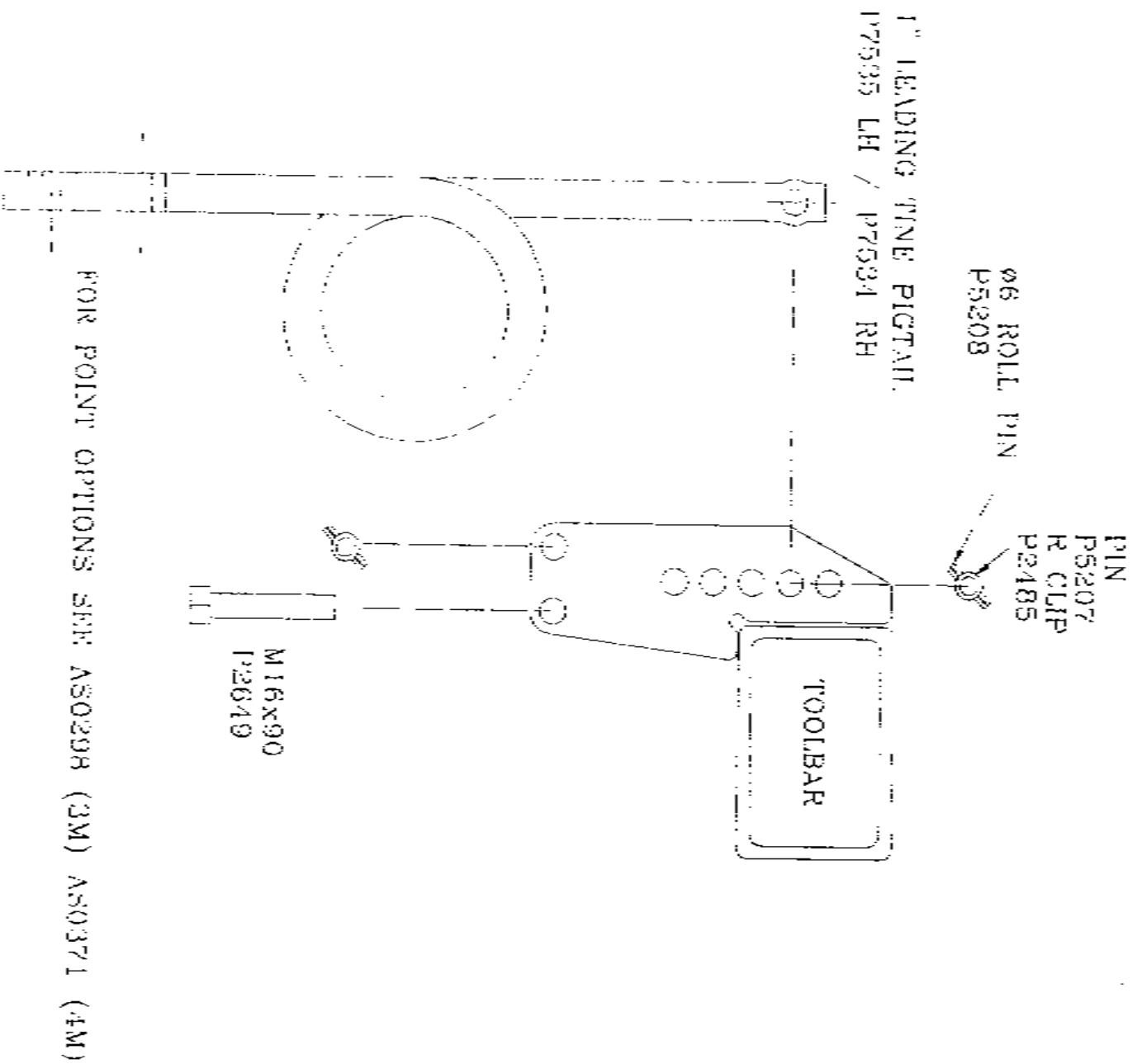
3M MINIFLOW STD AND EXTENDED TOOLBAR

DRAWN 6/5/97 BAC/ASS UPDATED 5-11-97	PART NUMBER	FROM SERIAL NO.	TO SERIAL NO.	ISSUE	DRAWING NO.
	7877	RES		C	AS0298



4M MINIFLOW STANDARD AND EXTENDED TOOLBAR

DRAWN 5/8/97	PART NUMBER	FROM SERIAL NO. TO SERIAL NO.	ISSUE	DRAWING NO.
		7877	Rees	C AS0371
BRAC/ASS	UPDATED 5-11-97			



USE NYLOC ON M16X90 BOLT - DO NOT OVERTIGHTEN
 ENSURE TINE CAN MOVE FREELY FOR ADJUSTMENT

FOR POINT OPTIONS SEE AS0298 (3M) AS0371 (4M)

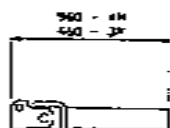
MINEFLOW SPRUNG LEADING TINES

DATE	UPDATED	FROM SERIAL NO	TO SERIAL NO	ISSUE	DRAWING NO
04-21-97		7877	Pres	C	AS0333

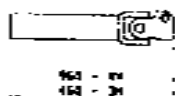
USDC/FRAX, ASSEMBLY

METERING LEG DEPTH CONTROL P8175

METERING WHEEL DRIVESHAFT P8022
METERING WHEEL FREEWHEEL UNIT COMPLETE P7889



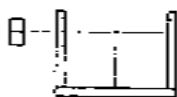
DRIVESHAFT
P8021



M12x40 P0003

METERING LEG P7695

PLASTIC END CAP P7818



M30x180 P0038

METERING LEG BRACKET P8181

LOCKING HANDLE
P8176



PLASTIC END CAP P7543



MINIFLOW METERING LEG ASSEMBLY

BAC/ASS:	DRAWN 5-11-87	PART NUMBER	FROM SERIAL NO.	TO SERIAL NO.	ISSUE	DRAWING NO.
	UPDTEC		8389		A	AS0291