

1200-4800TM Hydraulic Leveling Kit

General Information

These Instructions explain how to install the hydraulic leveling kit update. This update only applies to the 1200-4800 Turbo Max. These instructions apply to kit number: 589-532L, HYDRAULIC LEVELING KIT.

Manual Update

Refer to the Turbo Max operator's manual for detailed safety and maintaining of machine and to parts manual for part identification.

586-530A Hydraulic Remote Tmax Leveling Kit

Part Number	Description	Qty.
589-533V	HOSE KIT LEVEL - TMAX	1
589-534V	FITTINGS KIT - LEVEL - TMAX	1
586-541M	MANUAL TMAX HYD REMOTE LEVEL	1
589-249D	VALVE BRACKET	1
589-222D	LEVEL GUAGE BRACKET	1
589-487H	LEVEL INDICATOR	1
800-112C	CABLE TIE.19X7.25 1.75D 50LB	2
802-152C	HHCS 1/4-20X2 GR5	3
802-474C	HHCS 5/16-18X4 1/2 GR5	2
803-006C	NUT-HEX 1/4-20 PLT	3
803-008C	NUT HEX 5/16-18 PLT	2
804-006C	WASHER LOCK SPRING 1/4 PLT	3
804-009C	WASHER LOCK SPRING 5/16 PLT	3
810-599C	LOCK VALVE	1
810-626C	CYL 4X3X1.50 ROD (TIE ROD	1
816-885C	HYDRAULIC HOSE HOLDER 3/8"	
858-059C	TM LEVEL DECAL	1

Tools Required

- Basic Hand Tools
- Torque Wrench

Hydraulic Remote Leveling

Refer to Figure 1



Figure 1
Hydraulic Remote Leveling

43122

Assembly Instructions

Note: Move machine to level ground and lower machine until pressure is off of hitch turnbuckle (3).

Refer to Figure 2

1. Remove the 1" top lock nuts from the 1 x 6, Gr. 8 special thread bolt (1) and 1 x 8 Gr. 8, special thread bolt (2).
2. Remove bolts (1), (2) and turnbuckle (3) and the $\frac{3}{8}$ bolt (4) from cylinder clevis.
3. Install base end of the 810-626C cylinder (6) with the 1 x 6, Gr. 8 special thread bolt (1) secure with the same 1 top lock nut. Torque bolt to 910ft-lb.
4. Install rod end of the 810-626C cylinder (6) and the 589-487H level indicator (7) with the 1 x 8, Gr. 8 special thread bolt (2). Secure with the same 1" top lock nut. Torque bolt (2) to 910ft-lb. Re- install the $\frac{3}{8}$ bolt (4) to cylinder clevis (6) and small hole of 589-487H level indicator (7). Torque bolt (4) to 31ft-lb.
5. Remove the two nuts (8) from rod end of cylinder (6) and install the 589-222D level gauge bracket (9) in position shown. Re-install the two nuts (8). Tighten nuts (8) snug.
6. Install the 586-849D valve bracket (5) and 810-599C lock valve (10) with three, 802-152C, $\frac{1}{4}$ x 2 bolts (11), $\frac{1}{4}$ lock washers and $\frac{1}{4}$ nuts. To attach the valve bracket to the hitch use 804-474C $\frac{5}{16}$ x 4 $\frac{1}{2}$ " bolts (20), $\frac{5}{16}$ lock washers and $\frac{5}{16}$ nuts. Tighten bolts to 8ft-lb.

Note: Be sure ports in cylinders, valves, all fittings and hose ends are clean before installing fittings if fittings are not installed. If fittings and hoses are connected to valve and cylinder go onto step 10.

7. Install two, orifice plates (12) into cylinder ports (groove side out). Install two, 90 degree elbows (13) into cylinder ports, turn to desired angle for best hose routing and tighten jam nut.
8. Install four straight fittings (14) into all four ports of lock valve (10). Tighten fittings.
9. Install the two, 33" hoses (15) to rear of lock valve as shown in the illustration. Tighten hoses.
10. Install the two 84" hoses (16) to front of lock valve (10) and tighten hoses.
11. Install fittings (17) and (18) to other end of 84" hoses (16) and tighten fittings. Install yellow hose handles (19) over fittings.
12. Route 84" hoses (16) along existing hoses to front of hitch and through spring hose loop to tractor.
13. Secure 84" hoses (16) to existing hoses with the 816-885C hose holder (21).
14. Be sure all fittings and hoses are tight, hook hoses to tractor and retract and extend cylinder several times to purge of air and check for leaks.

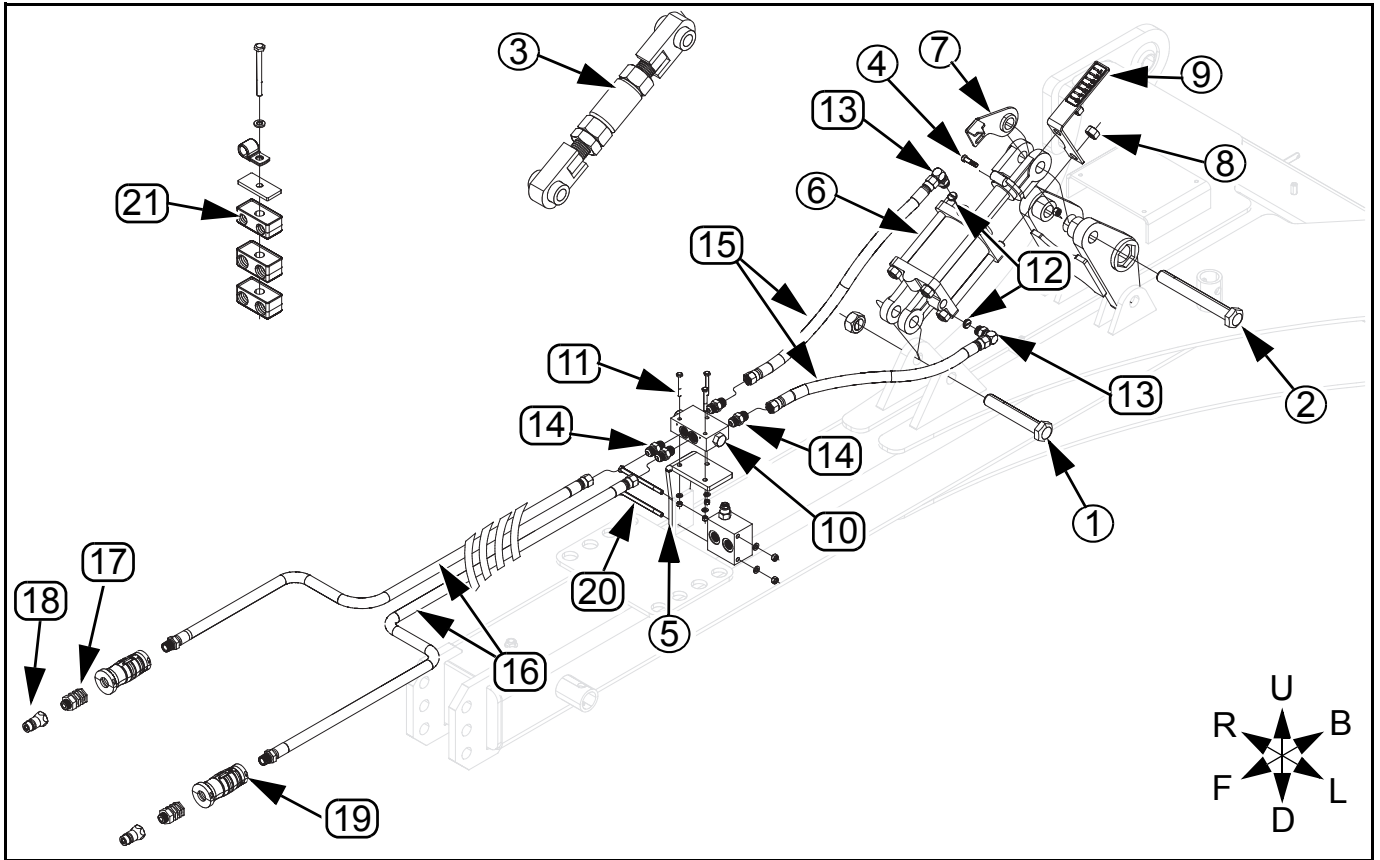


Figure 2
Hydraulic Remote Leveling Assembly

TP-69375

Hydraulic Remote Leveling Decal

Note: Close cylinder (1) before installing 858-059C level decal (3). Clean surface of the top of 589-487H level indicator (2).

Refer to Figure 2

15. With cylinder (1) in the closed position, remove backing and align the G on the 858-059C level decal (3) with the pointer of the 589-487H level indicator (4). Center the decal side to side and press the decal firmly on top of the 589-487H level indicator (2) being careful not to cause air bubbles under decal.

The machine should be run level from front to rear in the field at all times. Never run machine deeper on front or rear or this will cause poor field performance.

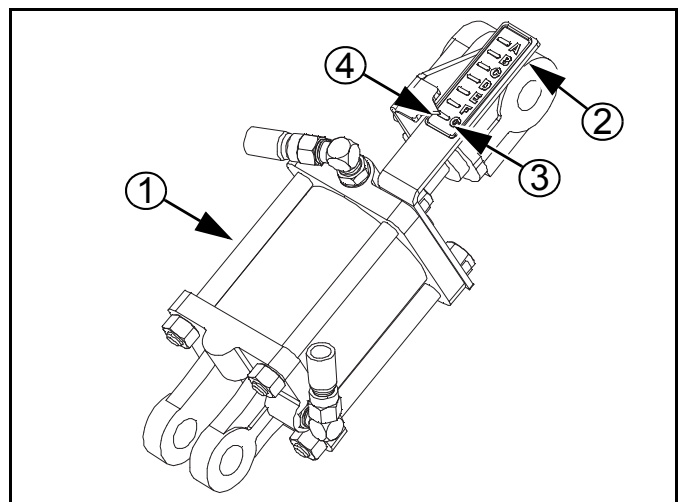


Figure 3
Hydraulic Remote Leveling Decal

43122

