



4000TT & 4000TC Walking Axle Update Pivot Assembly Update

General Information

These Instructions explain how to install the pivot assembly kit update. This update only applies to the 4000

Turbo-Till or 4000 Turbo-Chopper. These instructions apply to kit number: 566-132L PIVOT BUSHING KIT

Tools Required

- Basic Hand Tools

Manual Update

Refer to the Turbo-Till or Turbo-Chopper operator's manual for detailed safety and maintaining of machine. Refer to parts manual for part identification.

586-239M	Operator Manual
586-239P	Parts Manual
586-201M	Operator Manual
586-201P	Parts Manual

- Torque Wrench

566-132L Kit

Part Number	Description	Qty.
586-390D	WEAR RING	2
586-391D	PLASTIC COLLAR	2
816-642C	RUBBER 5.18ODX3.04IDX5.12	1

Assembly Instructions

Move machine to level ground and lower machine until pressure is off of tires. For ease of assembly remove wheel and hub/axle assembly. Dis-assemble the walking axle assembly as shown in Figure 1.

Note: Use the 566-132L pivot assembly kit to replace the 816-551C rubber bushing. Be sure to remove the back 586-279D spindle bushing from the back side of the spindle before installing the new components.

Refer to Figure 1

1. Once you have assembly apart and the old parts removed, slide 586-391D ① onto spindle, then the 586-390D ② should fit over the plastic collar.
2. Now slide 816-642C ③ over the spindle and install 586-390D ② and 586-391D ① as shown.
3. Slide formed washer ④, flat washer ⑤, secure with castle nut ⑥.
4. Hand tighten castle nut, then clamp top housing ⑦ around 816-642C ③ and draw these bolts up tight (approximately 375 ft-lbs).

Note: With the new rubber bushing, you will not be able to clamp the plates tight to each other. There will be a small gap between the top and bottom plate. That is okay.

5. Once these bolts are torqued, draw the castle nut down tighter to complete the assembly and install the cotter pin.
6. Re-install the hub/axle assembly and wheel.

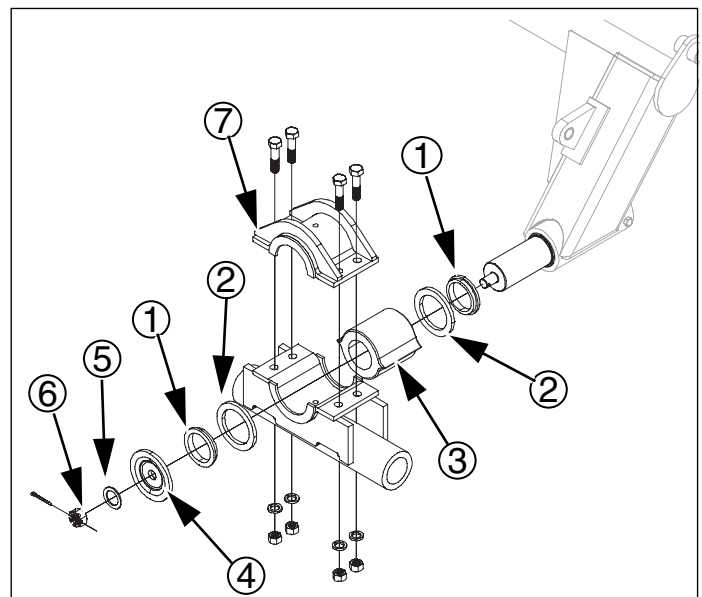


Figure 1
Update Assembly

41640